



Polycom® SoundStructure™

Model SR12

High performance installed audio solution



Benefits

Breakthrough feedback elimination – Enables more flexible microphone, talker, and loudspeaker placements and speech reinforcement

Unrivalled noise cancellation technology – Removes the broadest range of background noises from your audio inputs

Gain sharing automatic microphone mixer – Improved automixer experience ensures smoother transitions and robust performance in a variety of operating environments

OBAM™ matrix architecture – Connect multiple units together to create larger systems without the limitations of traditional bussing

SoundStructure Studio – Powerful Windows-based software for efficient design and configuration; use it to easily set up a basic system, or use its powerful customisation tools for more complex environments

Integrated Ethernet and USB – Control and manage the system from anywhere on the network, or plug right in from a laptop

Logic input and output – Control the system with simple push button interfaces and trimpots for optional gain adjustment

The ideal solution for sound reinforcement.

The Polycom SoundStructure SR12 installed audio solution delivers powerful and flexible audio processing for any commercial sound application that does not require conferencing capabilities. Either alone or linked with up to seven additional systems, the SoundStructure SR12 system is an ideal solution for any sound application, including houses of worship, stadiums, conference centres, hotels, night clubs, and restaurants. A powerful gain sharing automixer with automatic gain control on all inputs ensures consistent microphone pickup in all environments and flexible equalisation, dynamics, and cross-over processing enable a broad range of applications. Feedback elimination on all inputs prevents embarrassing acoustic feedback and provides for flexible microphone and loudspeaker placement, and unrivalled noise cancellation technology removes the broadest range of background noises. A central matrix mixer that seamlessly scales from 12 up to 96 inputs and outputs makes setting up multi-zone audio systems a snap.

In addition, the SoundStructure model SR12 features the same flexibility and ease of installation as the SoundStructure C-Series conferencing products, and is a perfect way of adding 12 additional non-conferencing inputs (such as other line level audio sources) and outputs to a SoundStructure conferencing system. An innovative OBAM matrix architecture enables multiple SoundStructure units to work together as one large system for unparalleled scalability and flexibility. All SoundStructure products leverage advanced signal grouping, labelling and submixing that let you leverage yesterday's work during today's installation, saving time and money. Plus, exclusive SoundStructure Studio software from Polycom makes configuration easy, and is powerful enough to handle the most challenging acoustic designs.

Make Great Things Happen with Polycom SoundStructure Installed Audio Solutions

In today's Internet driven world, the ability to conduct real time communication and collaboration has become critical to an organisation's survival. As the market leader in voice, video, data and Web solutions, our award-winning conference technology makes it easy for people to interact and maximise productivity — over any network, in just about any environment, anywhere around the globe. That's why more organisations worldwide use and prefer Polycom conferencing solutions. Because when people work together, great things happen. See how you, too, can achieve great things with Polycom SoundStructure installed audio solutions.



VIDEO

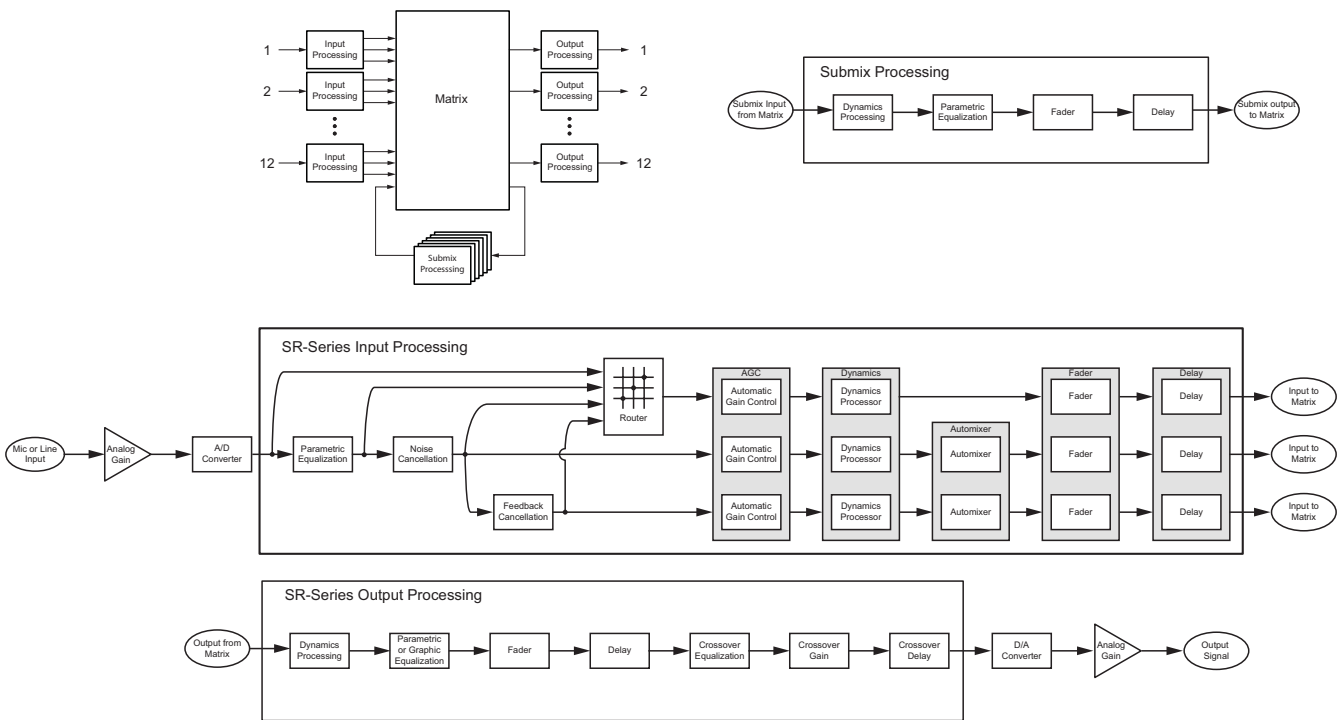
VOICE

DATA

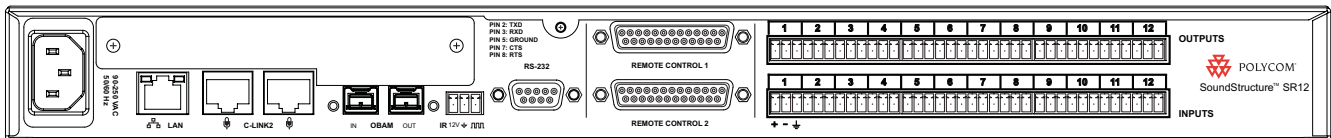
WEB

TOGETHER, GREAT THINGS HAPPEN.

Block Processing Diagram



Back of unit



SPECIFICATIONS

Dimensions

- 19" (483 mm) W x 13.5" (343 mm) L x 1.75" (45 mm) H (one rack unit)

Weight

- 12 lbs. (5.5 kg) dry, 14 lbs. (6.4 kg) shipping

Connectors

- RS-232: DB9F
- OBAM In/Out: IEEE 1394B
- CLINK2 : RJ45
- LAN: RJ45
- Control /Status: DB25F
- USB: USB mini B
- Audio: Mini (3.5mm) quick connect terminal blocks
- IR Receive: Mini (3.5mm) quick connect terminal block

Power and Thermal

- Internal supply
- Input voltage of 90-250 VAC; 50-60 Hz; line power requirements (including 0.6 PF): 105VA (SR12)
- Thermal dissipation (Btu/hr): 215 Btu/hr
- 0 to 40°C operating temperature

Inputs

- Phantom power: 48 V DC through 6.8kOhm series resistor per leg, 7.5mA per channel, software selectable
- Analog input Gain: 0 to 64 dB on all inputs in 1 dB steps, software adjustable
- Maximum input amplitude: +20.4 dBu, 1% THD + N
- Nominal level: 0 dBu (0.775V rms)
- Equivalent input noise: <-122 dBu, 20 - 20,000 Hz, Rs=150 Ohms (1%)
- Input Impedance: 10 kOhms
- Input EMI Filter: Pi filter on all audio inputs

Outputs

- Output Gain: -100 to 20 dBu in 1 dB steps, software adjustable
- Maximum output amplitude: +23 dBu, 1% THD + N
- Nominal output level: 0 dBu (0.775 V rms)
- Output impedance: 50 Ohm, each leg to ground, designed to drive loads > 600 Ohms
- Output EMI Filter: Pi filter on all audio outputs

System*

- Frequency response: 20-22,000 Hz, + 0.1 /- 0.3 dB
- Idle channel noise: <-109 dB FS no weighting, 20 - 20,000 Hz, -60dB FS, 0.997 kHz input signal, 0 dB gain
- Dynamic range: >109 dB FS no weighting, 20 - 20,000 Hz, -60 dB FS, 0.997 kHz input signal, 0 dB gain
- Linearity: 0 dB FS to -122 dB FS +/- 1 dB
- THD+N: < 0.005%, -20 dB FS input signal
- Common Mode Rejection Ratio: <-61 dB, 20 - 20,000 Hz, no weighting
- Cross talk: <-110 dB, 20-20,000 Hz, 1kHz, channel-to-channel
- Latency: Mic/Line inputs to outputs: 5msec, 20 msec with NC processing enabled
- Noise cancellation: 0-20 dB, software selectable
- Control Inputs: Contact closure
- Status Outputs: Open collector 60V and 500mA maximum per output
- All signal ground pins connected to chassis ground through low impedance planes

*Unless noted, all values are valid for all channels at 0dB input gain

©2007 Polycom, Inc. All rights reserved.

Polycom and the Polycom logo are registered trademarks and SoundStructure, Polycom HD Voice, Polycom UltimateHD, OBAM and ReadManager are trademarks of Polycom, Inc. in the U.S. and various countries. All other trademarks are the property of their respective owners. Specifications subject to change without notice.



Polycom EMEA Headquarters:

270 Bath Road, Slough, Berkshire SL1 4DX, United Kingdom, (T) +44 (0)1753 723000, (F) +44 (0)1753 723010

Polycom (France) Sarl:

Tour Areva, 31^{ème} étage, 1 place de la Coupole, 92084 La Defense, Paris, France, (T) +33 141 321 999, (F) +33 141 321 998

Polycom (Germany) GmbH:

Am Söldnermoos 17, 85399 Hallbergmoos, Germany, (T) +49 (0)811-9994 - 100, (F) +49 (0)811-9994 - 200

Polycom (Italy) S.r.l.

Via Rivoltana 2/d, 20090 Segrate, MI, Italy, (T) Numero verde 800 13 55 98, (F) +39 02 75 39 92 49

Polycom (Spain) S.A.

Lopez de Hoyos 35 - 1^ª, 28002 Madrid, Spain, (T) +34 91 7459973, (F) +34 91 7459999

Polycom (Switzerland) AG

Thurgauer Str. 40, CH-8050 Zurich, Switzerland, (T) +41 44 307 3585, (F) +41 44 307 3586

Polycom Headquarters:

4750 Willow Road, Pleasanton, CA 94588 (T) 1.800.POLYCOM (765.9266) for North America only.