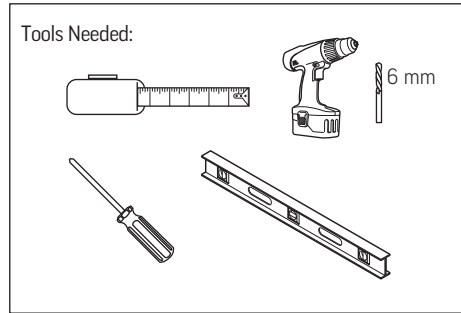


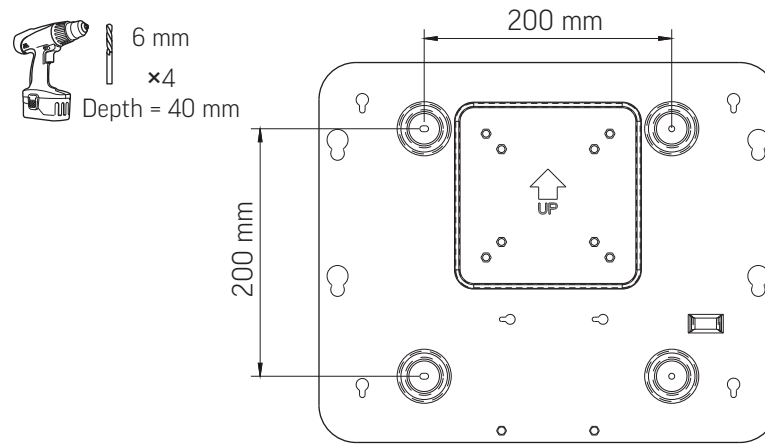
# Poly G10 Series, Poly G40 Series, and Poly G85 Series PC Mounting Kit

See the Regulatory Notices guide for all regulatory and safety guidance prior to configuration.

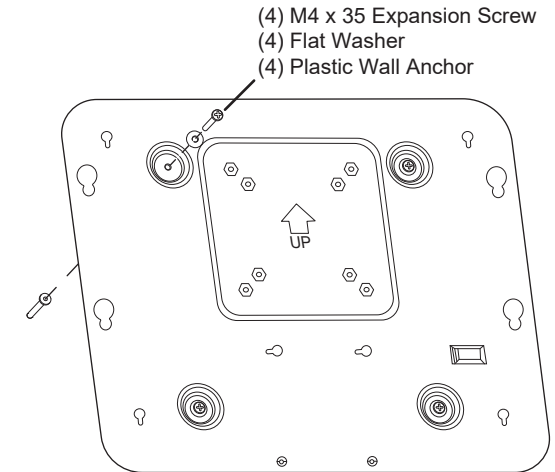
Avant de procéder à la configuration, veuillez consulter les Avis de réglementation, afin de prendre connaissance des recommandations en matière de sécurité et de réglementation.



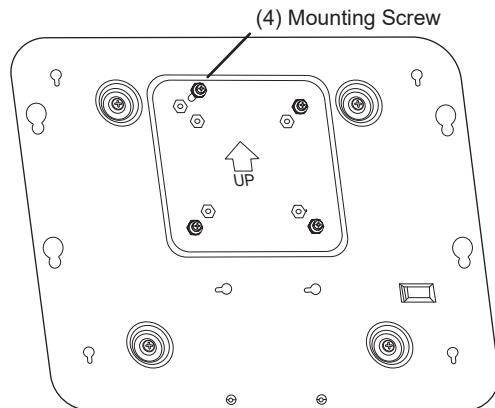
- 1 Drill four 6 mm holes in the wall, 200 mm apart, to a depth of 40 mm.



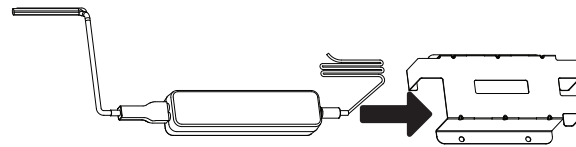
- 2 Mount the plate to the wall using four M4 x 35 expansion screws, flat washers, and plastic wall anchors.



- 3 Attach the four mounting screws using the outer M4 riveting studs.

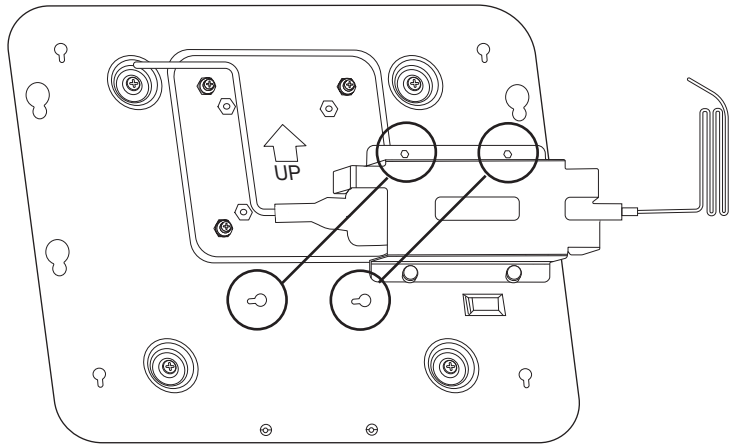


- 4 Slide the PSU into the PSU holder.

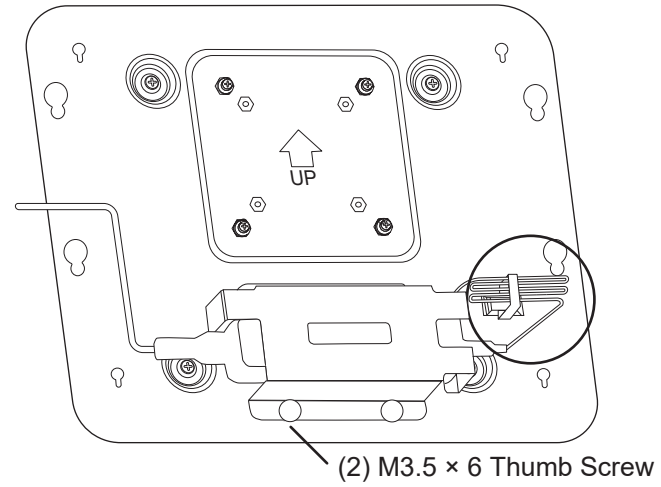


[support.polycom.com/video](https://support.polycom.com/video)

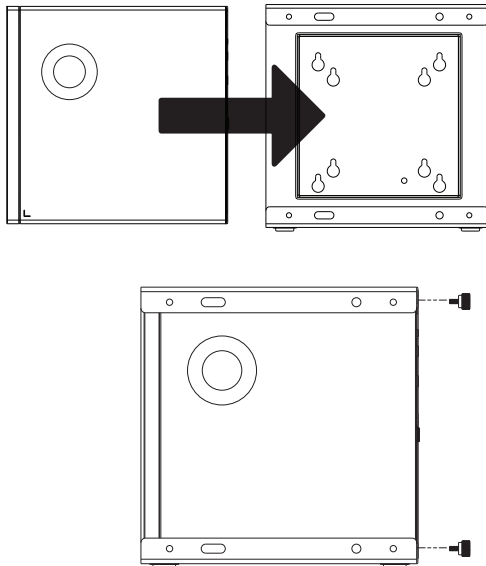
- 5** Attach the PSU to the plate by inserting the top two screws into the two keyholes and sliding to the left to lock in place.



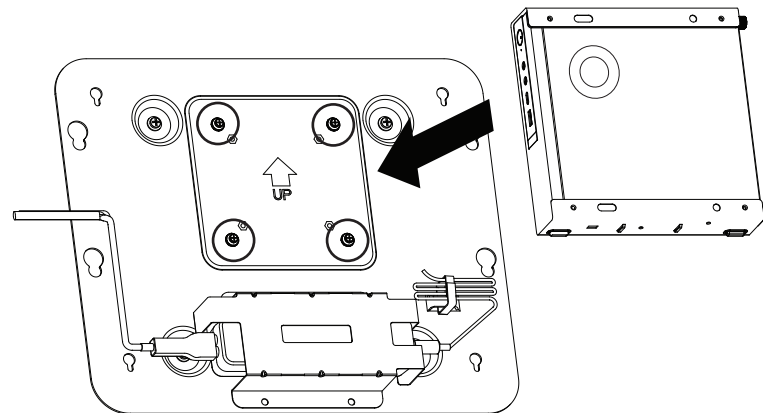
- 6** Attach two thumb screws at the bottom of the PSU holder. Wrap the cable wrap around the power cable.



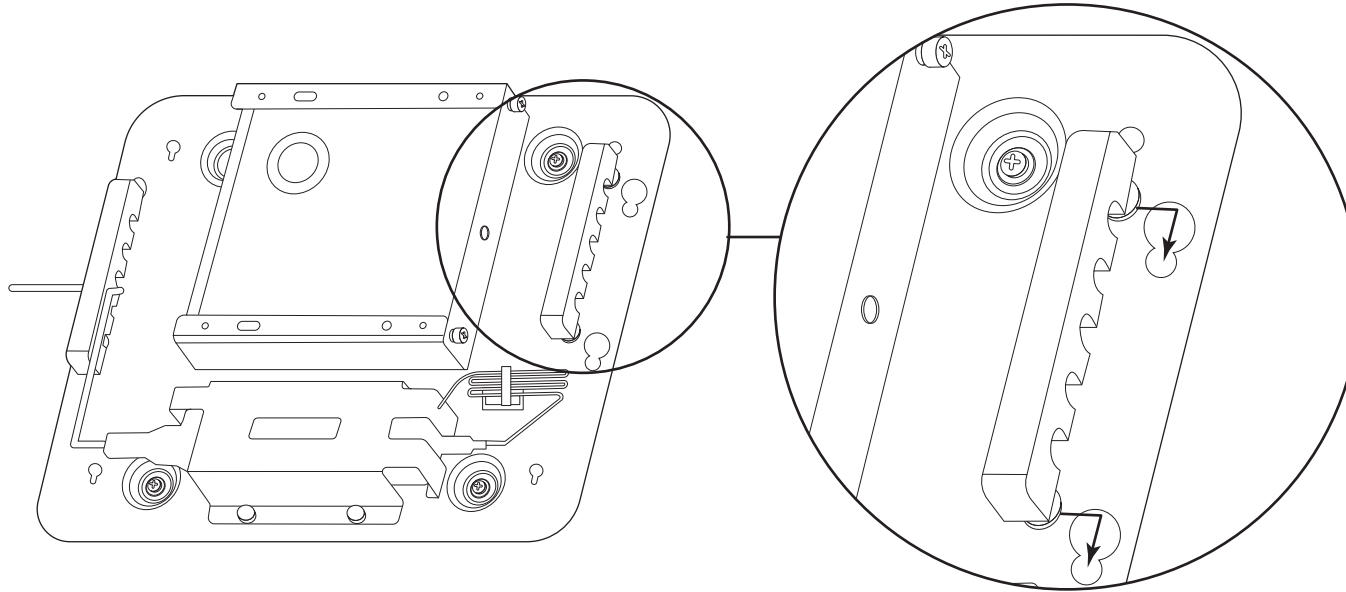
- 7** Slide the PC into the PC holder and attach two thumb screws.



- 8** Attach the PC to the plate by sliding the PC holder keyholes onto the four mounting screws.



- 9** Connect the cables to the PC. Attach the cable retainers by inserting the two circular ends of each cable retainer into the top of the keyhole slots and sliding them down to lock in place.



- 10** Attach the cover to the wall plate by inserting the four bolts into the top of the four corner keyhole slots and sliding them down to lock in place.

