

Poly Focus Room Kit with Poly Studio P15

See the Regulatory Notices for all regulatory and safety guidance prior to configuration.

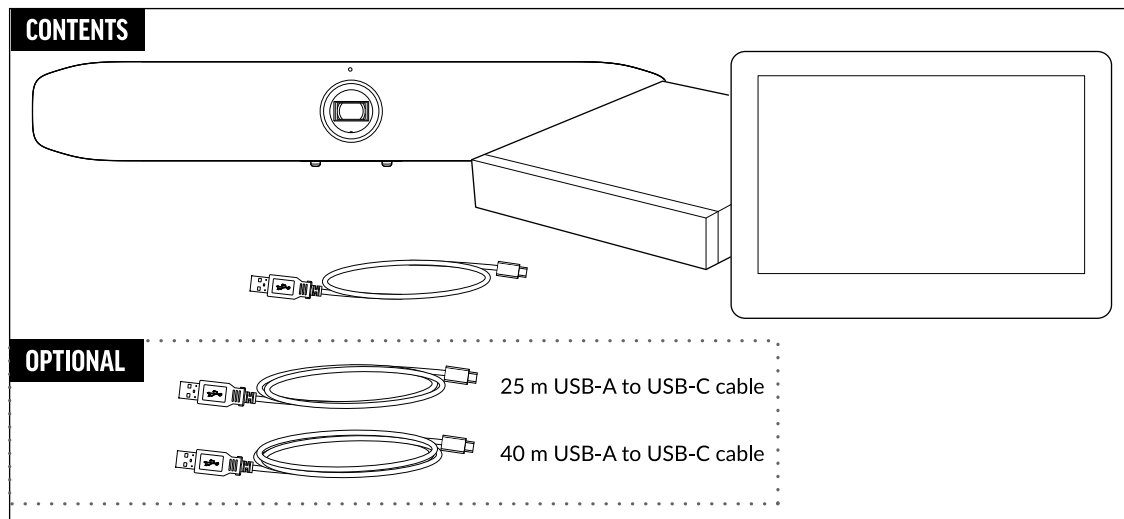
Avant de procéder à la configuration, veuillez consulter les Avis de réglementation, afin de prendre connaissance des recommandations en matière de sécurité et de réglementation.

Get Started

Before you begin, make sure that you have the following:

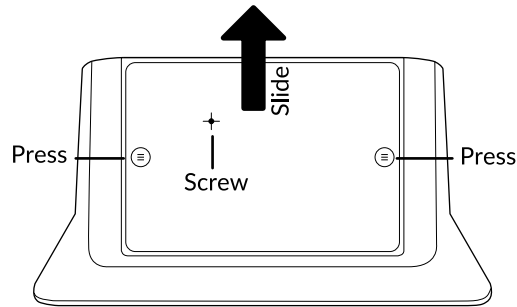
- Display HDMI cable(s)
- Phillips #1 screwdriver and flathead screwdriver
- (Optional) EDID emulator (see step 7)

Unpack the Poly Studio P15, Poly GC8, Conferencing PC, and 10 m USB-A to USB-C cable from their boxes. Note that the Conferencing PC is shipped separately.



www.poly.com/setup/poly-room-kits

1. Remove the bottom panel from the Poly GC8: loosen the screw with a Phillips #1 screwdriver, turn the GC8 faceup, press the rubber circles on each side, and slide the panel off.



2. Remove the cable guard from the Poly GC8 using a flathead screwdriver.
3. Using the supplied USB-A to USB-C cable, connect the Conferencing PC (USB-A) to the Poly GC8 (USB-C). See the cabling diagram on page 3.
4. (Optional) Connect an additional PC/laptop for content sharing to the Poly GC8 (using an HDMI/HDMI Mini cable).
5. Replace the cable guard in the Poly GC8 and replace the bottom panel and tighten the screw.
6. Using the USB-C to USB-C cable, connect the Poly Studio P15 to the Conferencing PC.
7. Using an HDMI cable, connect the monitor to the Conferencing PC.
NOTE: In some situations, with 4K monitors, the meeting room controls screen may appear on the front of room monitor and not on the Poly GC8 controller. When this happens, the Poly GC8 displays a blank screen. Poly recommends connecting a 1080P limited EDID Emulator to the HDMI out port of the Conferencing PC and connecting the HDMI cable from the emulator to your monitor. For additional installation and configuration guidance, refer to the manufacturer's instructions.
8. Connect the Conferencing PC to Ethernet.
9. Connect the keyboard and mouse to the Conferencing PC.
10. Plug in and power on the Poly GC8 and then plug in and power on the other components.

The Conferencing PC may reboot more than once. Do not shut down the Conferencing PC during this process.

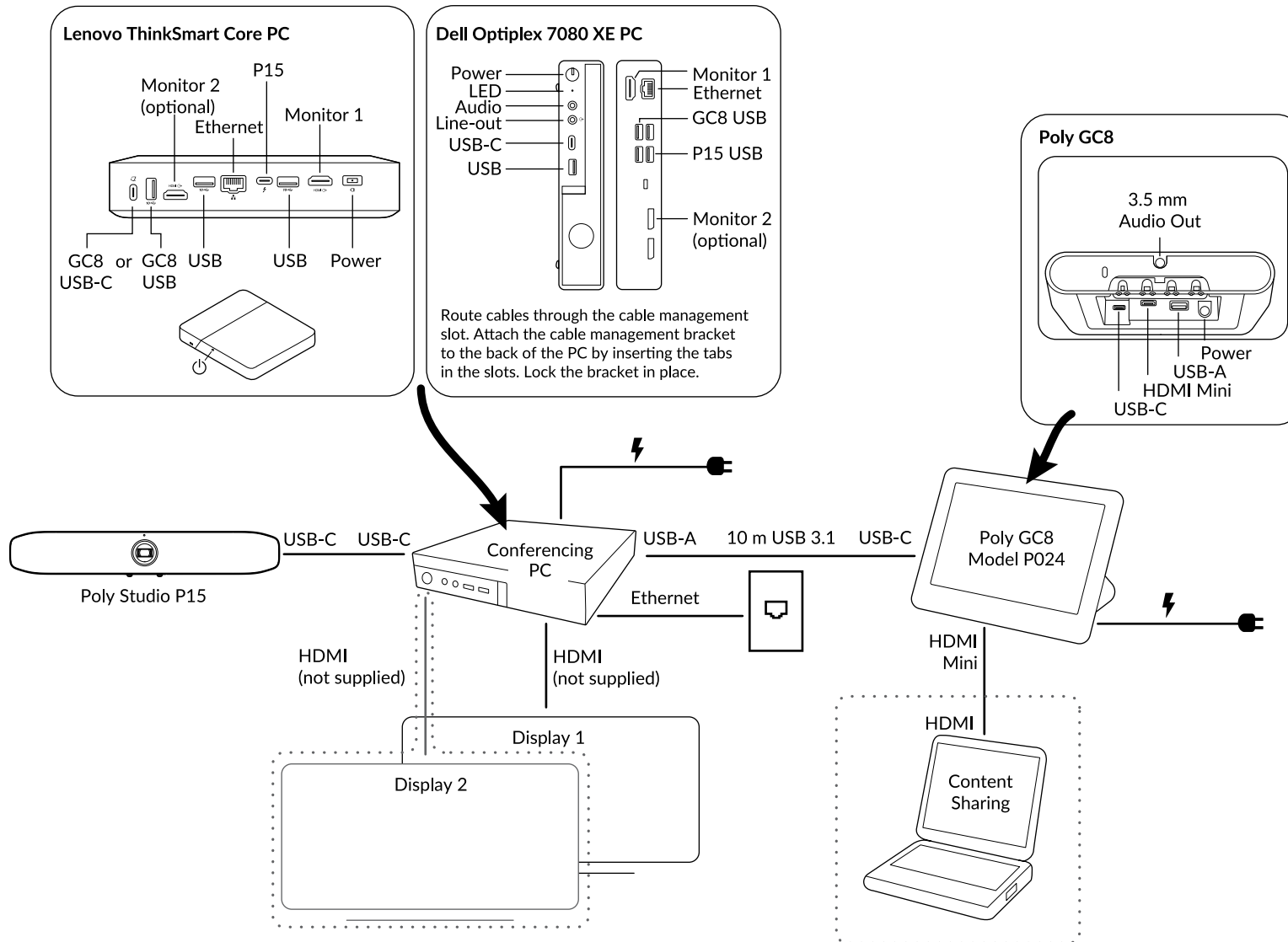
11. Follow the prompts to continue configuring the system. Refer to the *Poly Room Kits Solution Guide* for more information.

Accessibility Features

The Poly GC8 provides a 3.5 mm audio out jack so that people who are hard of hearing can use third-party assistive technology peripherals.

Optional Accessories

Refer to the *Poly Room Kits Accessories Setup Sheet* for information about the optional accessories you can use with the Poly Room Kits.



This product cannot be connected directly to the telecommunications circuits (or public wireless LANs) of any telecommunication carriers (e.g., mobile communications carriers, fixed communications carriers, or internet providers). In the case of connecting this product to the Internet, be sure to connect it via a router.