

Poly Small Room Kit with Poly Studio R30 and HP PC

See the Regulatory Notices for all regulatory and safety guidance prior to configuration.

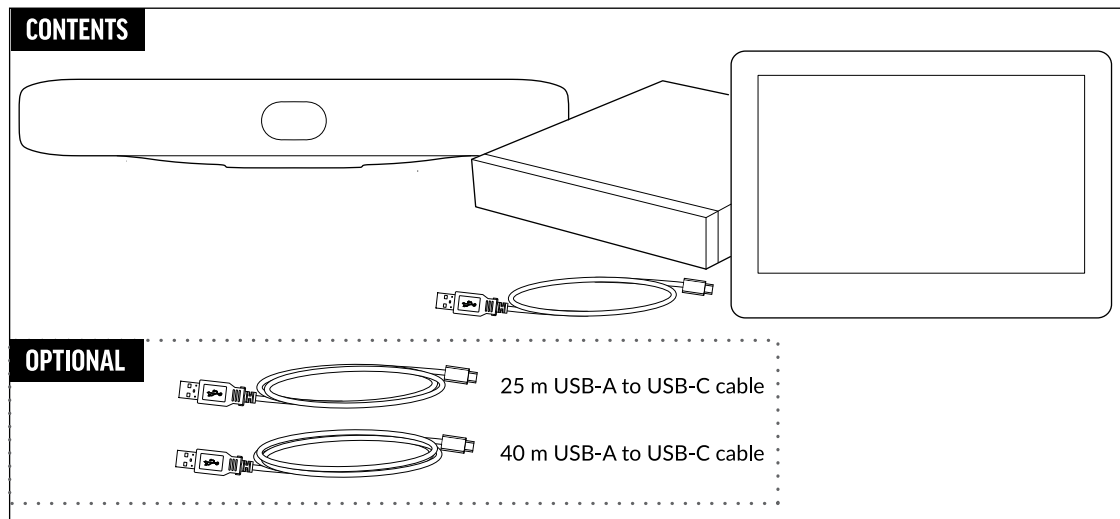
Avant de procéder à la configuration, veuillez consulter les Avis de réglementation, afin de prendre connaissance des recommandations en matière de sécurité et de réglementation.

Get Started

Before you begin, make sure that you have the following:

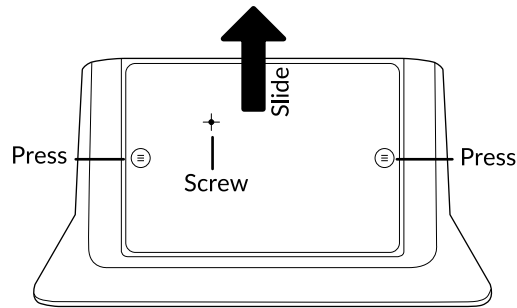
- Display HDMI cable(s)
- Phillips #1 screwdriver and flathead screwdriver
- (Optional) EDID emulator (see step 7)

Unpack the Poly Studio R30, Poly GC8, HP PC, and 10 m USB-A to USB-C cable from their boxes. Note that the HP PC is shipped separately.



poly.com/setup/poly-room-kits

1. Remove the bottom panel from the Poly GC8: loosen the screw with a Phillips #1 screwdriver, turn the GC8 faceup, press the rubber circles on each side, and slide the panel off.



2. Remove the cable guard from the Poly GC8 using a flathead screwdriver.
3. Using the supplied USB-A to USB-C cable, connect the HP PC (USB-A) to the Poly GC8 (USB-C). See the cabling diagram on page 3.
4. (Optional) Connect an additional PC/laptop for content sharing to the Poly GC8 (using an HDMI/HDMI Mini cable).
5. Replace the cable guard in the Poly GC8 and replace the bottom panel and tighten the screw.
6. Connect the Poly Studio R30 (USB-C) to the HP PC (USB-A).
7. Connect a monitor to the HP PC using an HDMI cable (not supplied) and connect to power.
NOTE: In some situations, with 4K monitors, the meeting room controls screen may appear on the front of room monitor and not on the Poly GC8 controller. When this happens, the Poly GC8 displays a blank screen. Poly recommends connecting a 1080P limited EDID Emulator to the HDMI out port of the Conferencing PC and connecting the HDMI cable from the emulator to your monitor. For additional installation and configuration guidance, refer to the manufacturer's instructions.
8. (Optional) Connect an additional monitor to the HP PC using the supplied display port to HDMI adapter and HDMI cable (not supplied). Connect the monitor to power.
9. Connect the HP PC to Ethernet.
10. Connect a keyboard and mouse (not supplied) to the HP PC.

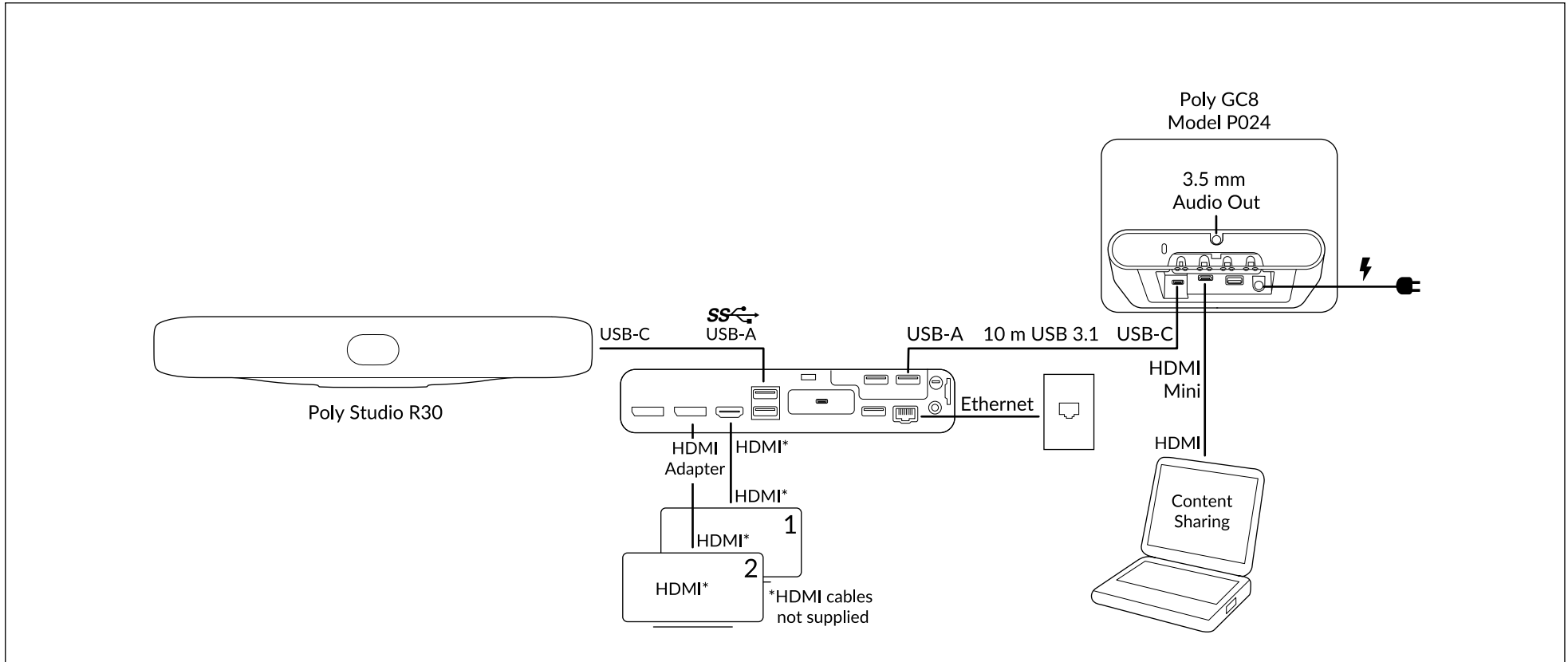
11. Plug in and power on the Poly GC8 and then plug in and power on the other components.
The HP PC may reboot more than once. Do not shut down the HP PC during this process.
12. Follow the prompts to continue configuring the system. Refer to the *Poly Room Kits for Microsoft Teams Solution Guide* for more information.

Accessibility Features

The Poly GC8 provides a 3.5 mm audio out jack so that people who are hard of hearing can use third-party assistive technology peripherals.

Optional Accessories

Refer to the *Poly Room Kits Accessories Setup Sheet* for information about the optional accessories you can use with the Poly Room Kits.



This product cannot be connected directly to the telecommunications circuits (or public wireless LANs) of any telecommunication carriers (e.g., mobile communications carriers, fixed communications carriers, or internet providers). In the case of connecting this product to the Internet, be sure to connect it via a router.