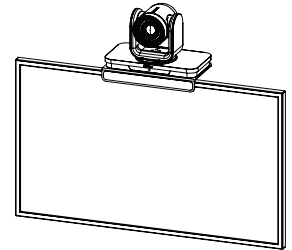
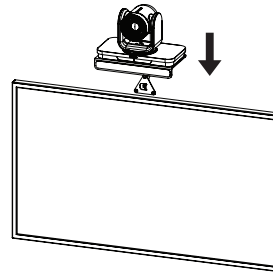
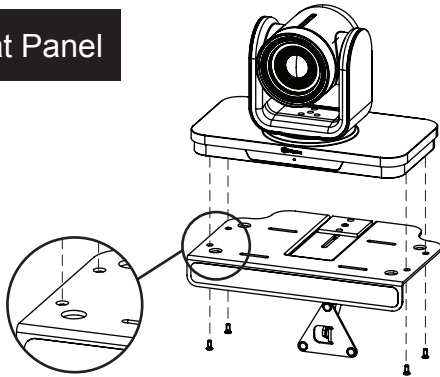
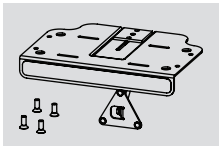
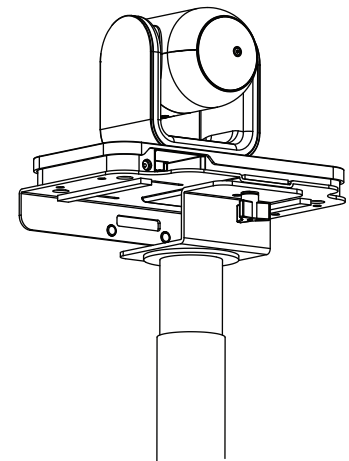
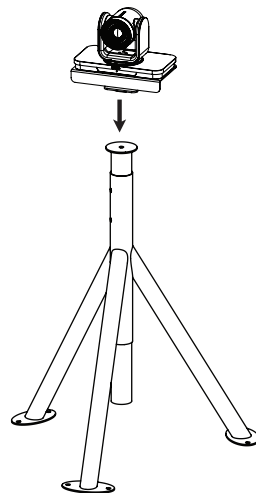
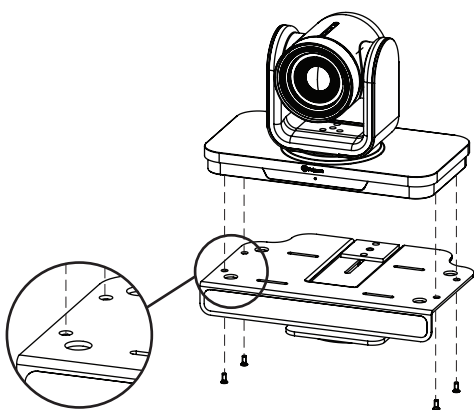
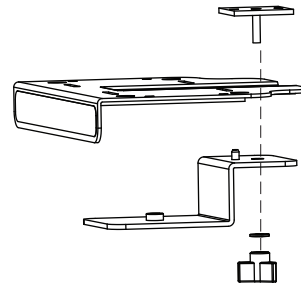
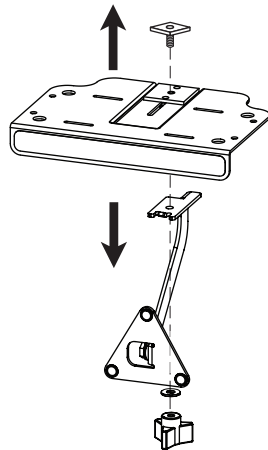
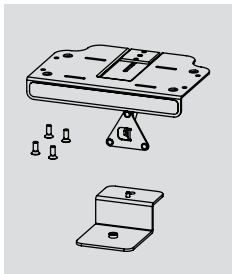


Polycom® Universal Camera Mount

Mount on a Flat Panel



Mount on a Tripod



www.polycom.com

© 2017, Polycom, Inc. All rights reserved. POLYCOM® and the names and marks associated with Polycom's products are trademarks and/or service marks of Polycom, Inc. and are registered and/or common law marks in the United States and various other countries.

By using this product, you are agreeing to the terms of the End User License Agreement (EULA) at: <http://documents.polycom.com/indexes/licenses>.
If you do not agree to the terms of the EULA, do not use the product, and you may return it in the original packaging to the seller from whom you purchased the product.

June 2017

1725-68675-002A



Mount on a Wall

