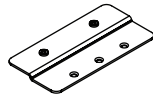
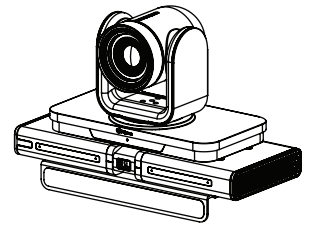




Polycom® EagleEye™ Producer Universal Camera Mount Extender Bracket Setup Sheet

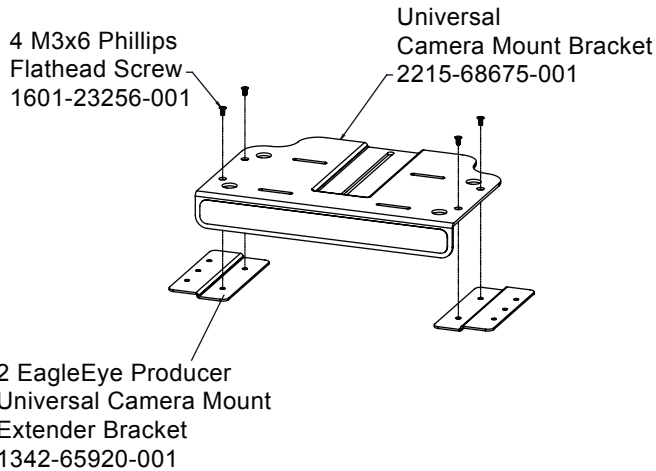


2 EagleEye™ Producer Universal
Camera Mount Extender Bracket
1342-65920-001

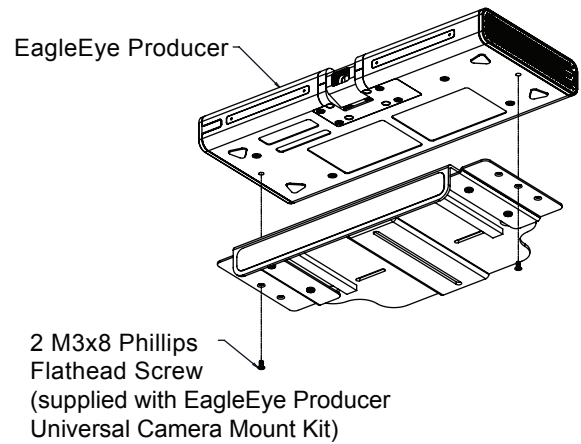


6 M3x6 Phillips
Flathead Screw
1601-23256-001

1 Attach the two universal camera mount extender brackets to the universal camera mount bracket using two M3x6 Phillips flathead screws per extender bracket.

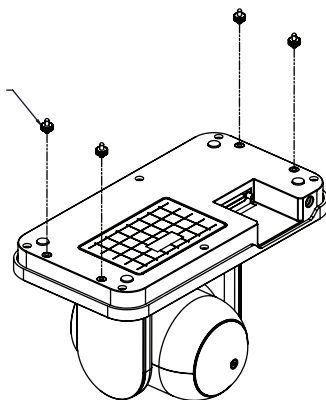


2 Attach the EagleEye Producer to the universal camera mount bracket assembly using one M3x8 Phillips flathead screw in each extender bracket.

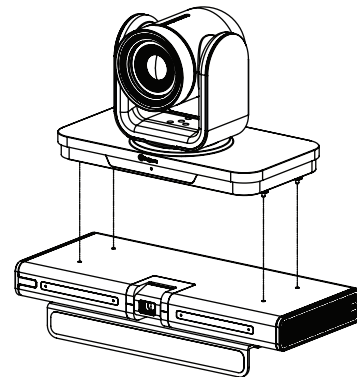


3 Attach the four spacers to the bottom of the EagleEye IV camera.

4 M3x3 EagleEye Producer Spacer
1673-69789-001
(supplied with EagleEye Producer)



4 Attach the EagleEye IV camera to the EagleEye Producer assembly.



For more information, refer to the documentation at <http://www.polycom.com/videodocumentation>.

www.polycom.com

© 2015, Polycom, Inc. All rights reserved. POLYCOM® and the names and marks associated with Polycom's products are trademarks and/or service marks of Polycom, Inc. and are registered and/or common law marks in the United States and various other countries. No portion hereof may be reproduced or transmitted in any form or by any means, for any purpose other than the recipient's personal use, without the express written permission of Polycom.

1725-69601-001A

