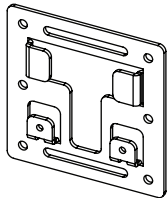




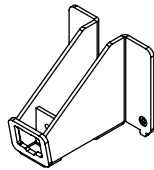
Polycom® RealPresence® Group Convene™ Wall Mount Setup Sheet Supplement

This supplement describes how to install the Polycom® RealPresence® Group Convene™ Wall Mount instead of the supplied RealPresence Group Convene stand. Refer to the the *Polycom RealPresence Group Convene Setup Sheet* for more information.

1725-71937-001A



Wall Mount Plate
1343-71937-001



Wall Mount Plate Arm
Bracket
1342-71937-001



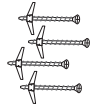
(2) M4 x 8 Knurled
Thumb Screw
1601-71937-001



(4) 1/4-20 x 2-1/2"
Hex Head Bolt
1601-61806-001



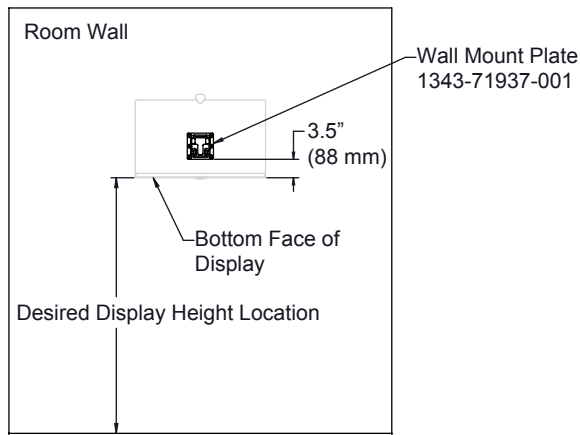
(4) 1/4" Washer
1602-61465-001



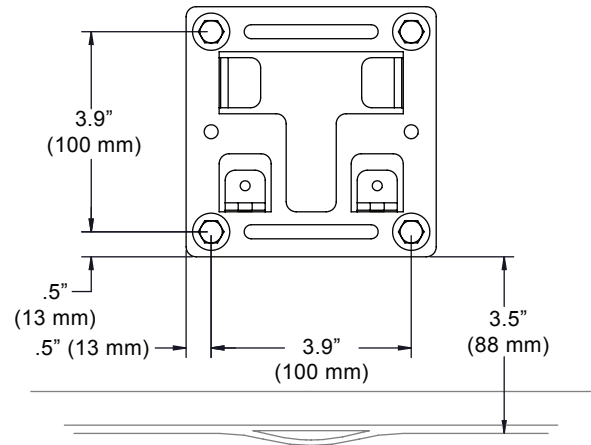
(4) 1/4-20
Toggle Anchor Insert
1650-28296-001

Supplied hardware for drywall applications

1 Determine the desired location of the display and the location of the wall mount plate as shown below.



2 Drill the mounting holes for the wall mount plate as shown using the VESA 100 mm x 100 mm hole pattern. If needed, use the wall plate as a template for drilling the holes.



For more information about the components of the RealPresence Group Convene, refer to the documentation at http://support.polycom.com/PolycomService/support/us/support/video/group_series/group_packaged_solutions.html.



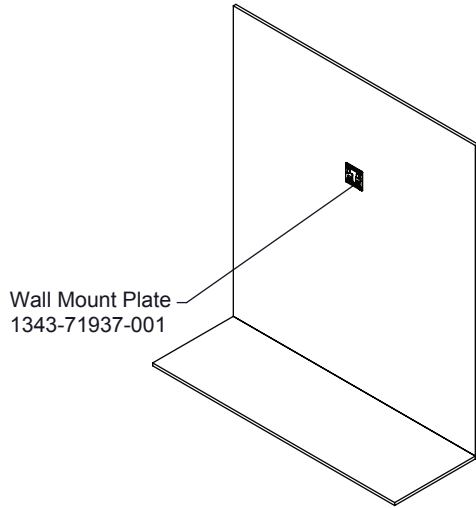
This product is intended for professional installation by a qualified installer. It is essential to correctly assess the strength of the wall to ensure that the wall mounting hardware can safely anchor the product. If the installation of the wall mounting hardware is not done correctly, the product could fall and cause severe injury or property damage. Polycom is not liable for any injury or damage caused by mishandling or improper installation.

www.polycom.com

© 2015, Polycom, Inc. All rights reserved. POLYCOM® and the names and marks associated with Polycom's products are trademarks and/or service marks of Polycom, Inc. and are registered and/or common law marks in the United States and various other countries. No portion hereof may be reproduced or transmitted in any form or by any means, for any purpose other than the recipient's personal use, without the express written permission of Polycom.

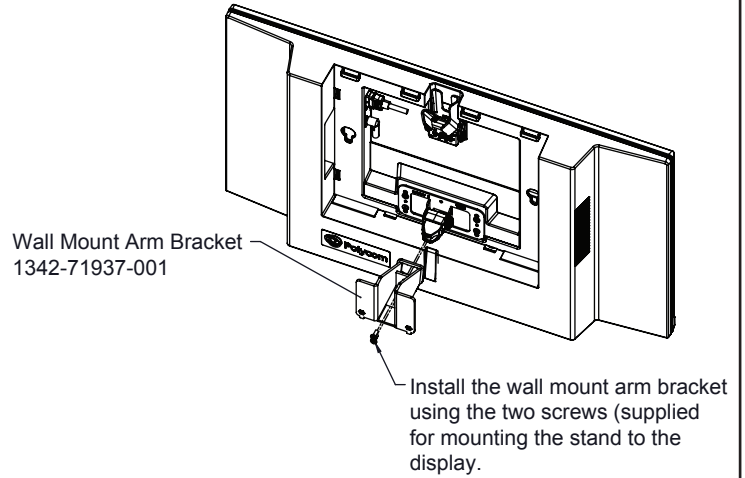
3

Attach the wall mount plate using the recommended wall mounting hardware appropriate for your room wall.



4

Refer to Step 1 in the *Polycom RealPresence Group Convene Setup Sheet*.



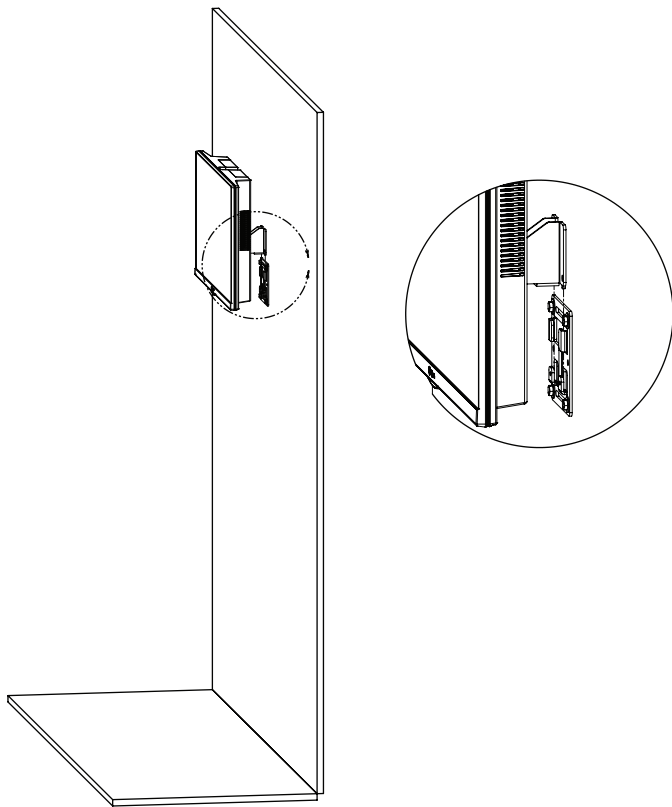
Follow the instructions in the *Polycom RealPresence Group Convene Setup Sheet* to install the camera, prepare the codec, connect cables and install the codec.

Route and manage the cables within the display as needed.

Install the rear cover as shown in the *Polycom RealPresence Group Convene Setup Sheet*.

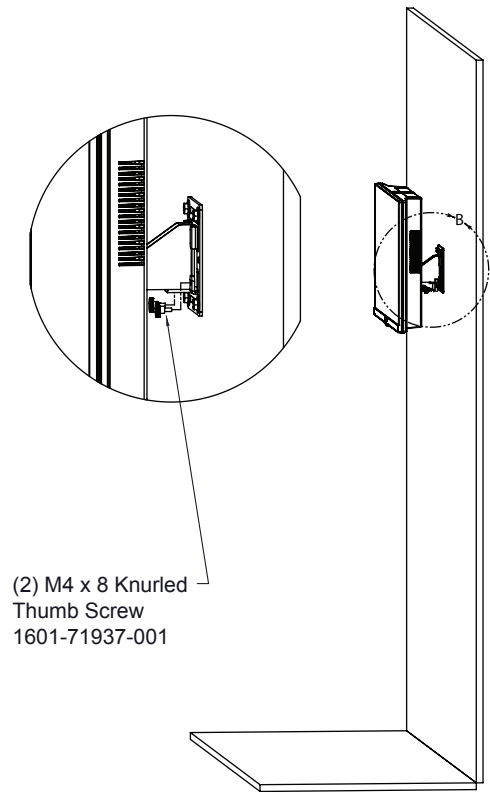
5

Slide the wall mount arm bracket into the wall mount plate.



6

Fasten the wall mount arm bracket to the wall mount plate using two thumb screws. You may have to wiggle the bracket to get the screw to line up with the hole.



Connect power and power on the system as shown in the *Polycom RealPresence Group Convene Setup Sheet*.