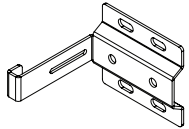


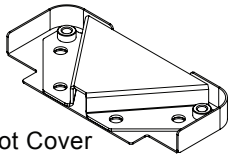


Polycom® RealPresence® Group Series Media Center Wall-Secured Setup Sheet Supplement

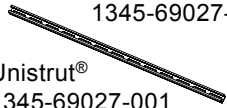
Polycom® RealPresence® Group Series Media Center with a Single 55", 65", or 84" Display or 55" or 65" Dual Displays



Wall Mount Bracket
1342-68996-001



Foot Cover
1345-69027-001



Unistrut®
1345-69027-001

3/8-16x1" Hex Head Screw
1601-25072-001

3/8-16 Flat Washer
1602-25065-001

3/8-16 Unistrut Nut with Spring
1600-25083-001

1/4 x 3.0" Lag Hex Screw
1601-12988-001

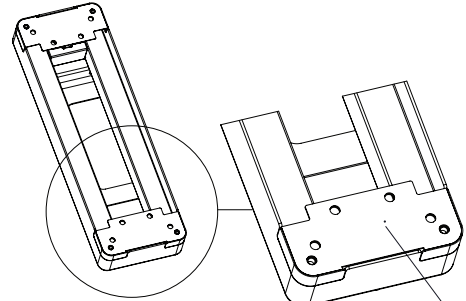
1/4 Washer
1602-61465-001

1/4-20x2.5" Hex Head Bolt
1601-61806-001

1/4-20 Toggle Anchor Insert
1650-28296-001

1

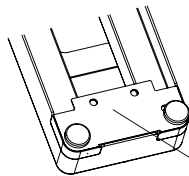
Remove the base from packaging and flip the base over. Attach the two foot covers to the base using four M10 x 50 flanged socket head cap screws per leg. Note that the legs are not used and can be stored for future use.



(2) Foot Cover
1345-69027-001

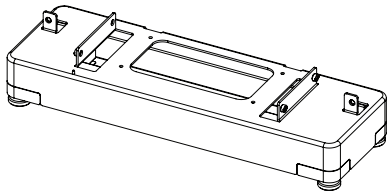
2

Install the supplied floor glides on the legs, using one flat washer and one split lock washer per glide. Ensure that the flat washer is closest to the leg surface.



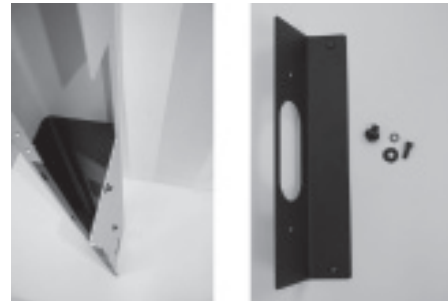
(4) Foot Glide

With the assistance of another person, flip the base over.



3

Detach the pre-installed speaker bracket from each vertical support by removing the 1/4-20 x 5/8 socket head cap screws, flat washers, and lock washers. Set them aside.



For more information about the components of the RealPresence Group Series Media Center, refer to the documentation at http://support.polycom.com/PolycomService/support/us/support/video/group_series/group_packaged_solutions.html.



The Media Center components are heavy. Polycom recommends that two people perform the installation.



This product is intended for professional installation by a qualified installer. Before installing, ensure that the floor is solid, level, and able to support the weight of the product. It is essential to correctly assess the strength of the wall to ensure that the wall mounting hardware can safely anchor the product. If the installation of the wall mounting hardware is not done correctly, the product could fall and cause severe injury or property damage. Polycom is not liable for any injury or damage caused by mishandling or improper installation.

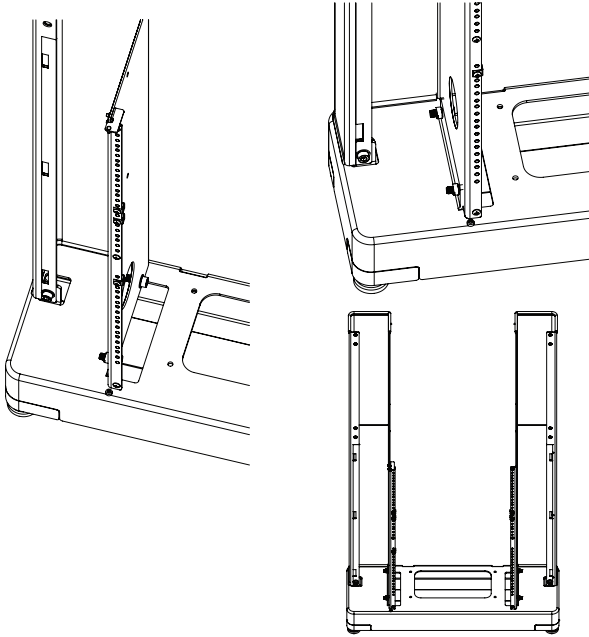
www.polycom.com

© 2015, Polycom, Inc. All rights reserved. POLYCOM® and the names and marks associated with Polycom's products are trademarks and/or service marks of Polycom, Inc. and are registered and/or common law marks in the United States and various other countries. No portion hereof may be reproduced or transmitted in any form or by any means, for any purpose other than the recipient's personal use, without the express written permission of Polycom.

1725-67850-001A



4 Place the left vertical support on the base, aligning the holes in the base with the holes in the bottom of the vertical support. Attach the vertical support to the base using three M10 x 25 flanged socket head cap screws per vertical support. Do not fully tighten. Repeat with the right vertical support.



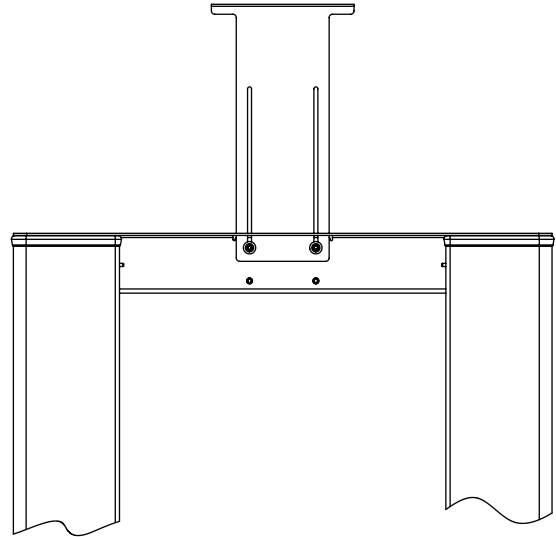
Before proceeding to the next step, perform steps 5 through 8 in the *Polycom RealPresence Group Series Media Center Setup Sheet*.

5 Note: Skip this step for 84" displays.

Install the camera mounting bracket using two 1/4-20x5/8" socket head cap screws, two flat washers, and two lock washers.

Mount the bracket in its fully extended position and lightly tighten the screws so it remains in position.

You will lower the bracket later, when the camera is mounted.



6a - Option 1

Note that some previously assembled items are not shown for clarity.

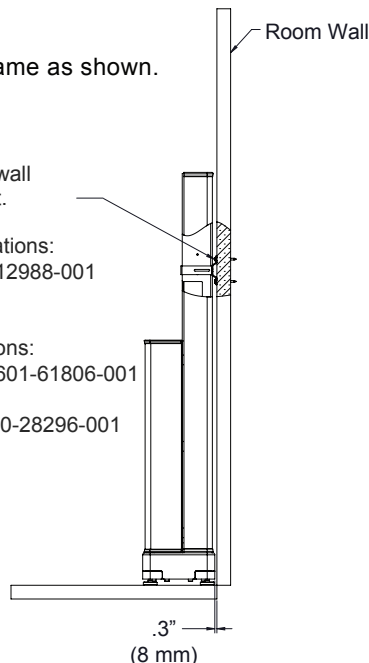
There are two options to brace the Media Center frame. Directly bracing the Media Center to the wall is the preferred option.

Position the Media Center frame as shown.

Use an appropriate combination of wall mounting hardware supplied with kit.

Recommended for solid wall applications:
 (4) 1/4 x 3.0" Hex Lag Screw 1601-12988-001
 (4) 1/4" Washer 1602-61465-001

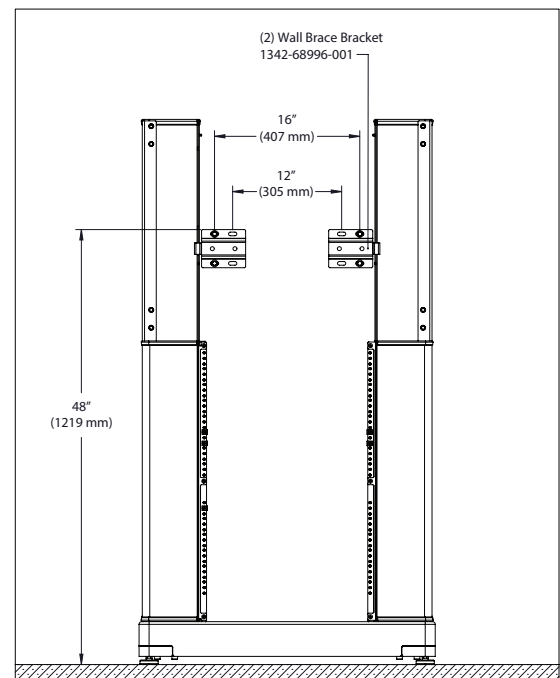
Recommended for drywall applications:
 (4) 1/4-20 x 2-1/2" Hex Head Bolt 1601-61806-001
 (4) 1/4" Washer 1602-61465-001
 (4) 1/4-20 Toggle Anchor Insert 1650-28296-001



6b - Option 1

Attach the Wall Brace Bracket as shown in the next figure. Always use recommended wall mounting hardware appropriate for your room wall.

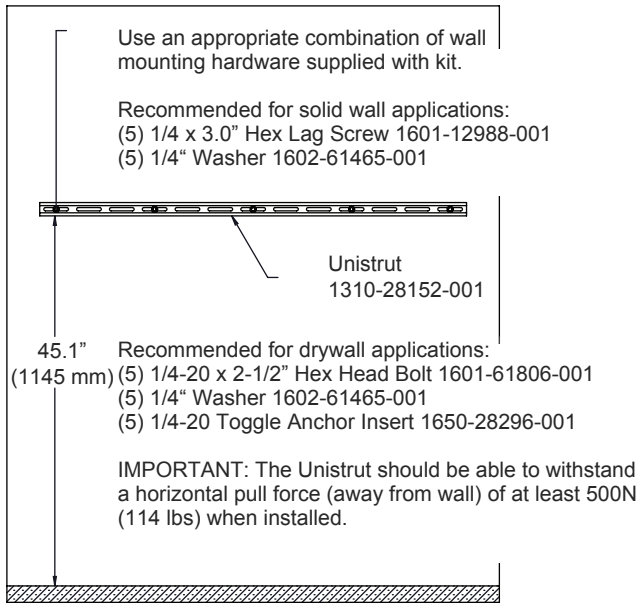
IMPORTANT: Each installed Wall Brace Bracket must be able to withstand horizontal pull force (away from wall) of at least 250N (57 lbs).



6a - Option 2

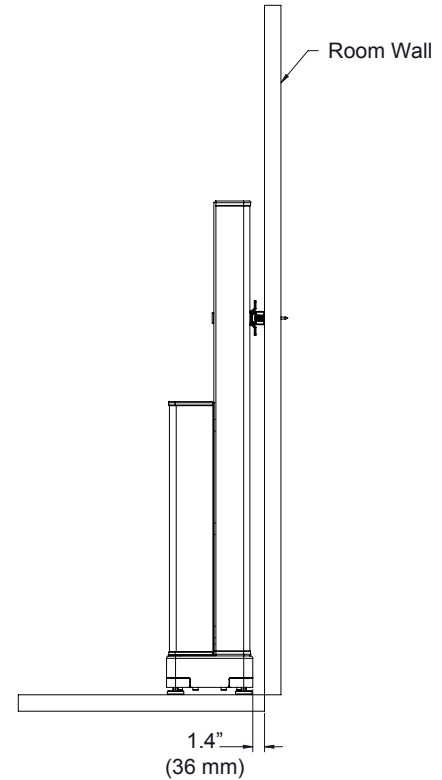
Note that some previously assembled items are not shown for clarity.

The second option to brace the Media Center frame is with a unistrut. At the predetermined location, mount the unistrut to the wall as shown.



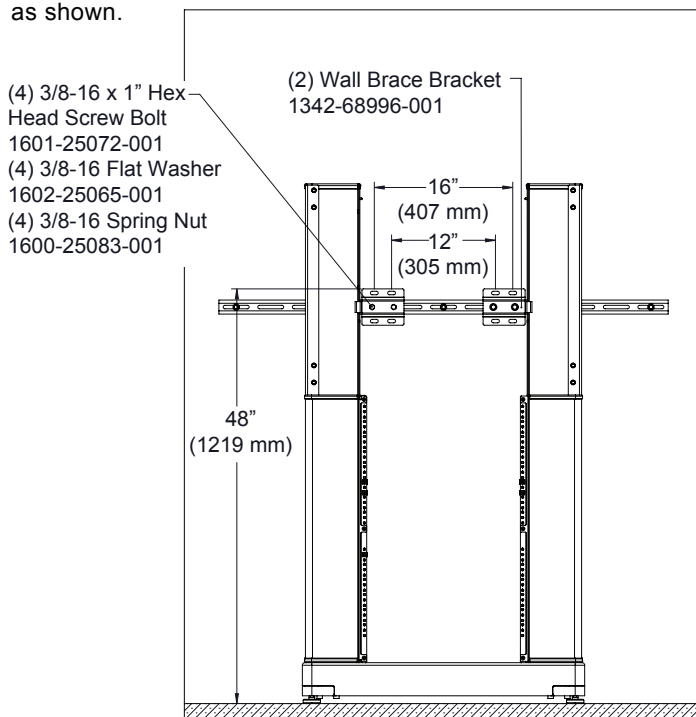
6b - Option 2

Position the Media Center frame away from the wall as shown.



6c - Option 2

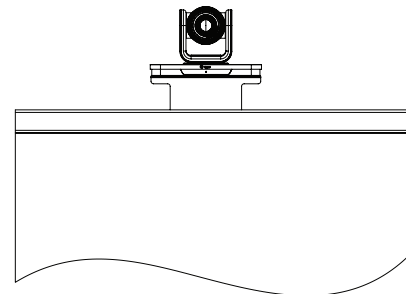
Attach the frame to the unistrut using the supplied hardware as shown.



Refer to the *Polycom RealPresence Group Series Wall Mount Setup Sheet* and perform steps 11 through 21.

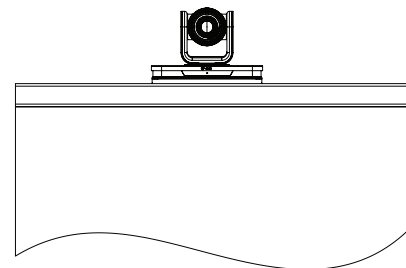
7

Attach the EagleEye IV camera to the camera mount bracket using four M3 x 6 Phillips flat head screws.

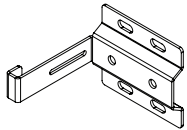


Lower the camera mounting bracket from its extended position by loosening the two screws installed in step 9.

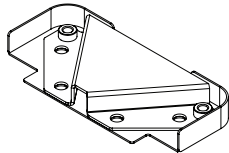
When the camera is in the final position, tighten the two screws.



Polycom® RealPresence® Group Series Media Center with Dual 42" AIO Displays



Wall Mount Bracket
1342-68996-001



Foot Cover
1345-69027-001



Unistrut®
1345-69027-001

3/8-16x1" Hex Head Screw
1601-25072-001

3/8-16 Flat Washer
1602-25065-001

3/8-16 Unistrut Nut with Spring
1600-25083-001

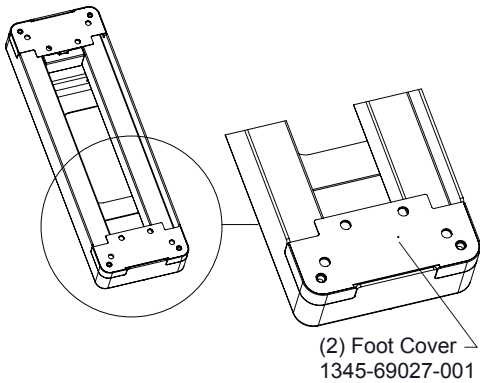
1/4 x 3.0" Lag Hex Screw
1601-12988-001

1/4 Washer
1602-61465-001

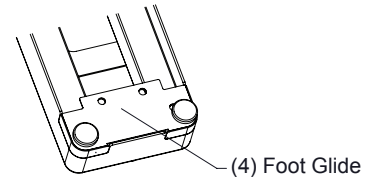
1/4-20x2.5" Hex Head Bolt
1601-61806-001

1/4-20 Toggle Anchor Insert
1650-28296-001

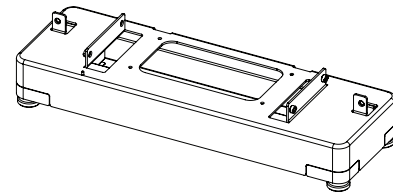
1 Remove the base from packaging and flip the base over. Attach the two foot covers to the base using four M10 x 50 flanged socket head cap screws per leg. Note that the legs are not used and can be stored for future use.



2 Install the supplied floor glides on the legs, using one flat washer and one split lock washer per glide. Ensure that the flat washer is closest to the leg surface.



With the assistance of another person, flip the base over.



For more information about the components of the RealPresence Group Series Media Center, refer to the documentation at http://support.polycom.com/PolycomService/support/us/support/video/group_series/group_packaged_solutions.html.

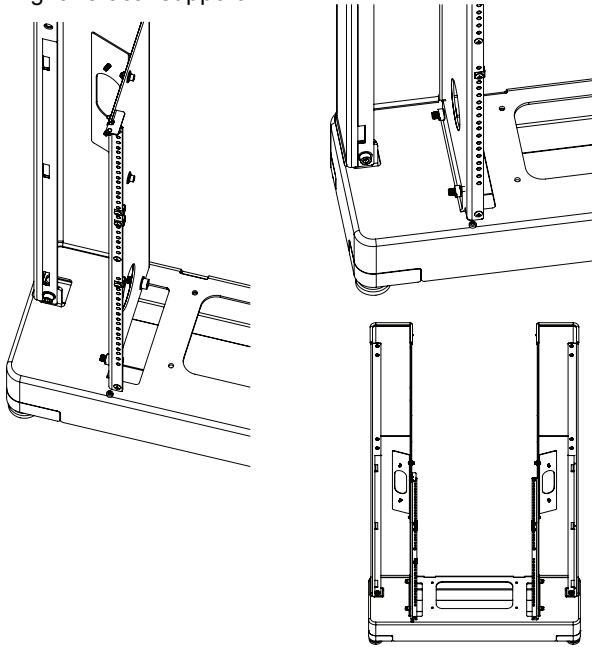


The Media Center components are heavy. Polycom recommends that two people perform the installation.



This product is intended for professional installation by a qualified installer. Before installing, ensure that the floor is solid, level, and able to support the weight of the product. It is essential to correctly assess the strength of the wall to ensure that the wall mounting hardware can safely anchor the product. If the installation of the wall mounting hardware is not done correctly, the product could fall and cause severe injury or property damage. Polycom is not liable for any injury or damage caused by mishandling or improper installation.

- 3** Place the left vertical support on the base, aligning the holes in the base with the holes in the bottom of the vertical support. Attach the vertical support to the base using three M10 x 25 flanged socket head cap screws per vertical support. Do not fully tighten. Repeat with the right vertical support.

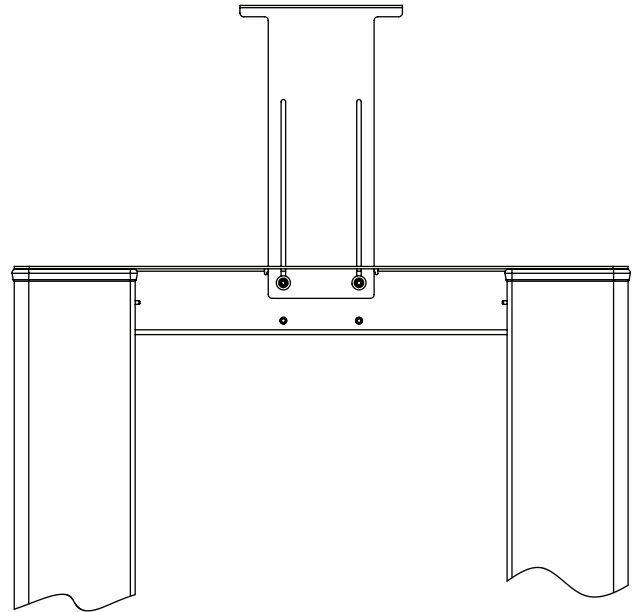


Before proceeding to the next step, perform steps 4 through 8 in the *Polycom RealPresence Group Series Media Center Wall Mount Setup Sheet*.

- 4** Install the camera mounting bracket using two 1/4-20x5/8" socket head cap screws, two flat washers, and two lock washers.

Mount the bracket in its fully extended position and lightly tighten the screws so it remains in position.

You will lower the bracket later, when the camera is mounted.



5a - Option 1

Note that some previously assembled items are not shown for clarity.

There are two options to brace the Media Center frame. Directly bracing the Media Center to the wall is the preferred option.

Position the Media Center frame as shown.

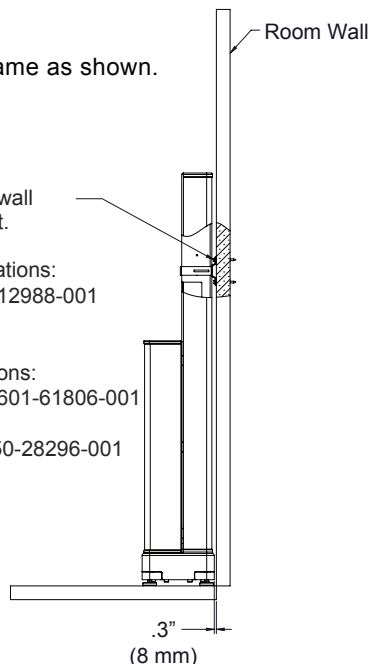
Use an appropriate combination of wall mounting hardware supplied with kit.

Recommended for solid wall applications:

- (4) 1/4 x 3.0" Hex Lag Screw 1601-12988-001
- (4) 1/4" Washer 1602-61465-001

Recommended for drywall applications:

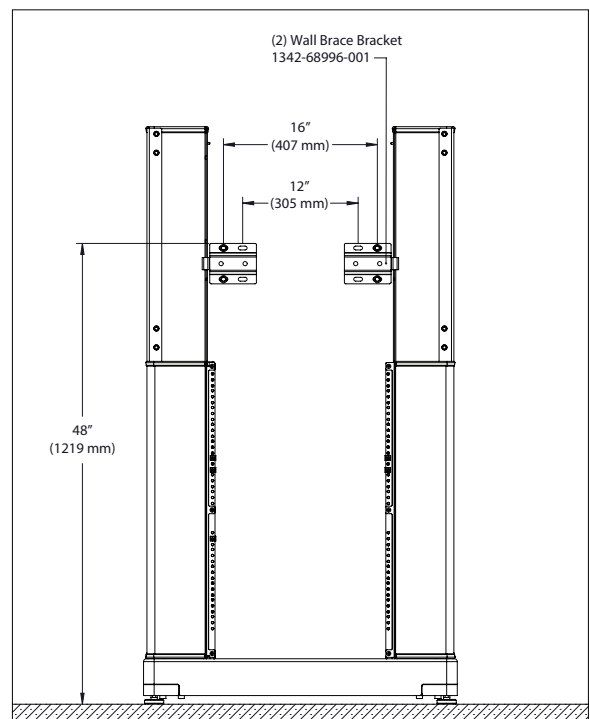
- (4) 1/4-20 x 2-1/2" Hex Head Bolt 1601-61806-001
- (4) 1/4" Washer 1602-61465-001
- (4) 1/4-20 Toggle Anchor Insert 1650-28296-001



5b - Option 1

Attach the Wall Brace Bracket as shown in the next figure.

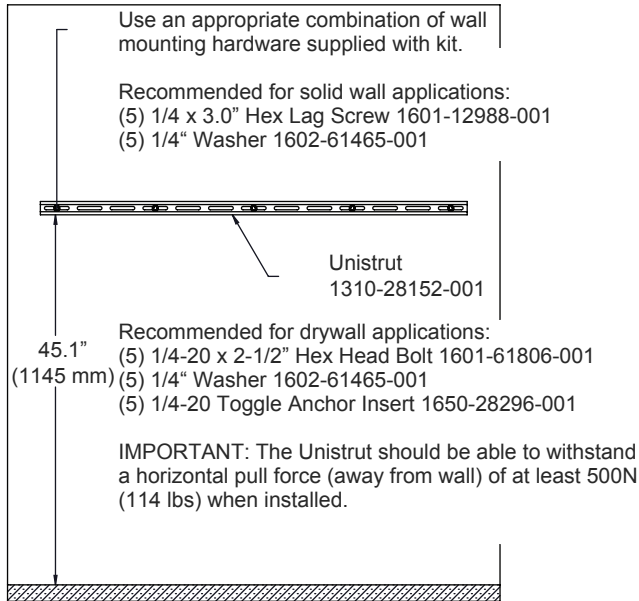
IMPORTANT: Each installed Wall Brace Bracket must be able to withstand horizontal pull force (away from wall) of at least 250N (57 lbs).



5a - Option 2

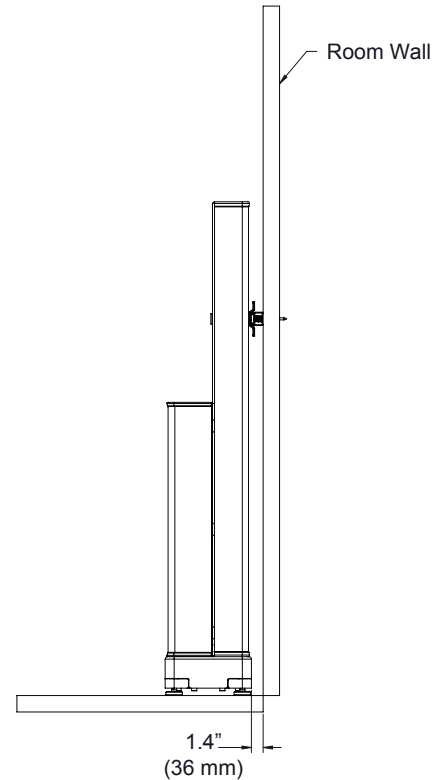
Note that some previously assembled items are not shown for clarity.

The second option to brace the Media Center frame is with a unistrut. At the predetermined location, mount the unistrut to the wall as shown.



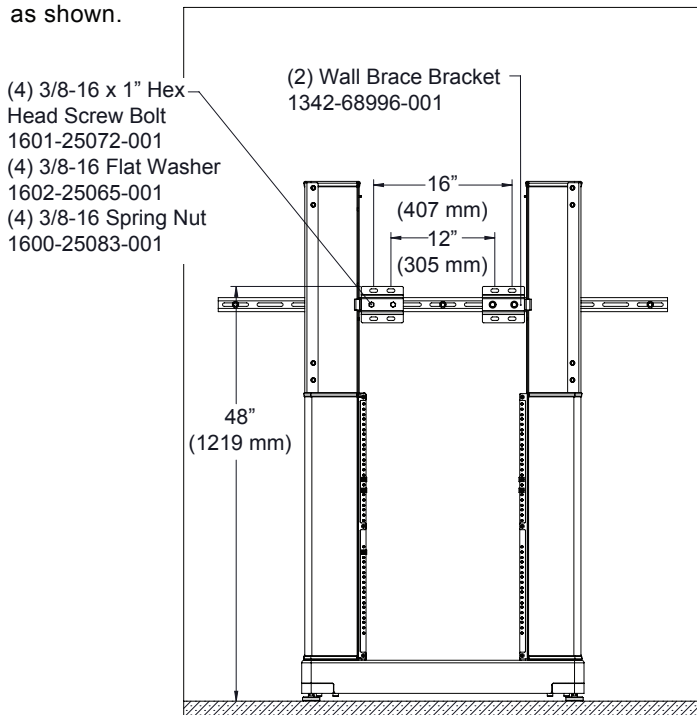
5b - Option 2

Position the Media Center frame away from the wall as shown.



5c - Option 2

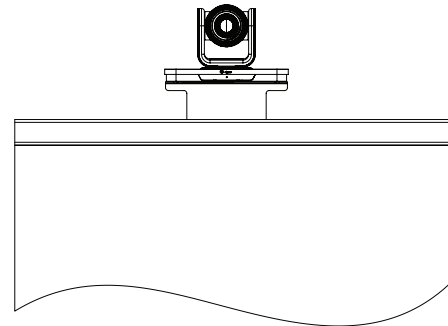
Attach the frame to the unistrut using the supplied hardware as shown.



Note: Refer to the Polycom RealPresence Group Series Media Center Setup Sheet and perform steps 11 through 16.

6

Attach the EagleEye IV camera to the camera mount bracket using four M3 x 6 Phillips flat head screws.



Lower the camera mounting bracket from its extended position by loosening the two screws installed in step 9.

When the camera is in the final position, tighten the two screws.

