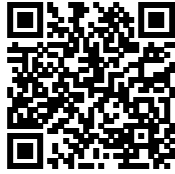




# QUICK START

## POLY STUDIO X52 STAND

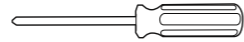


[poly.com/support/studio-x52/stand](http://poly.com/support/studio-x52/stand)

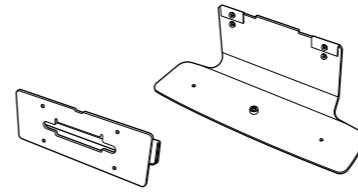
MANAGEMENT SOFTWARE

**POLY LENS**  
[poly.com/lens](http://poly.com/lens)

TOOL



CONTENTS



Poly Studio X52 Stand Brackets



(8) M4 x 8 mm



[www.poly.com/support/studio-x52](http://www.poly.com/support/studio-x52)



Recyclable where facilities exist

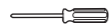
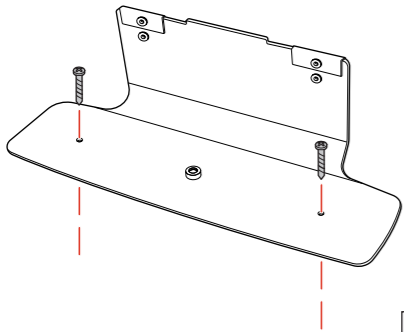
© 2023 Poly. All trademarks are the property of their respective owners.



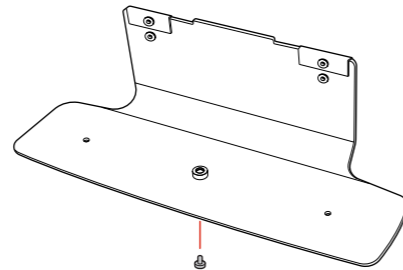
1725-87991-001C 01.23

Studio X52 Model P033

OPTIONAL

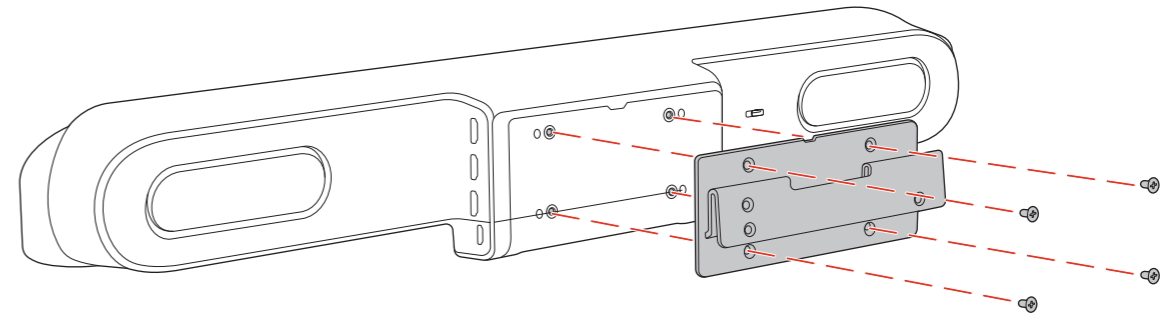


OPTIONAL



1/4\"-20

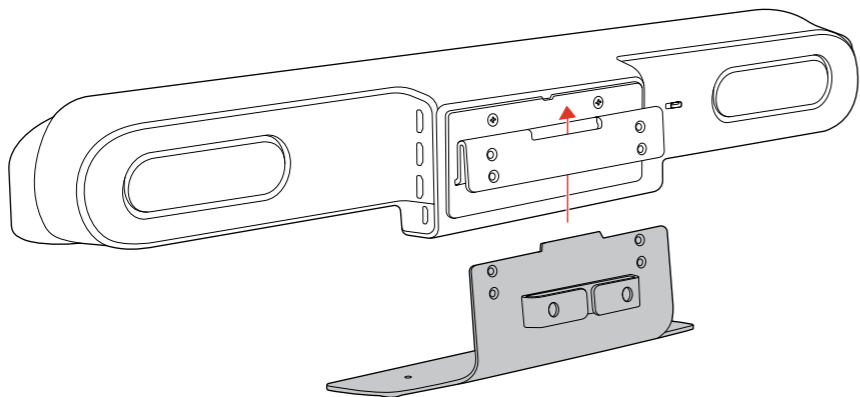
1



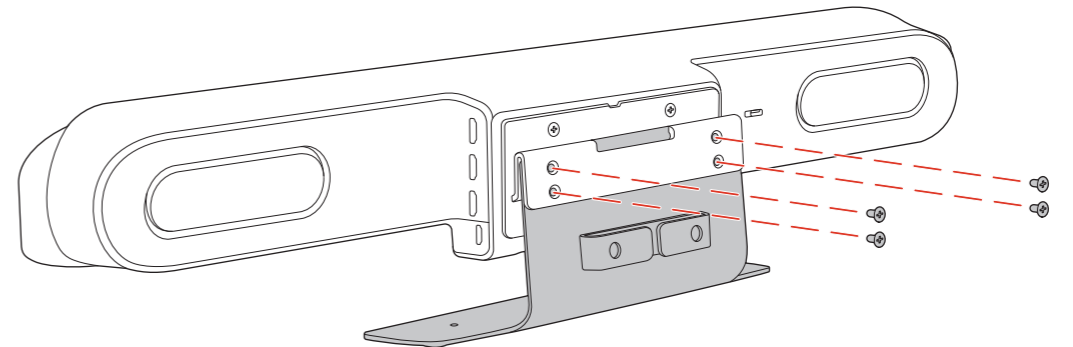
x4



2



3



x4

