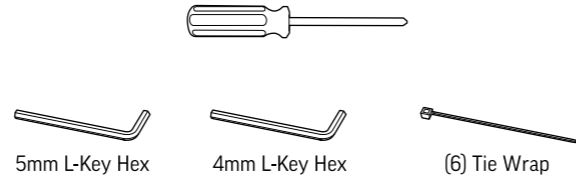




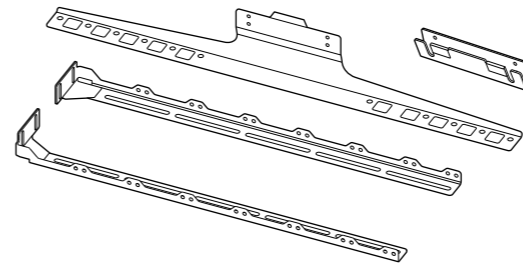
QUICK START

POLY STUDIO X70 DISPLAY MOUNT

TOOLS



CONTENTS



www.poly.com/support/studio-x70



© 2022 Poly. All trademarks are the property of their respective owners.

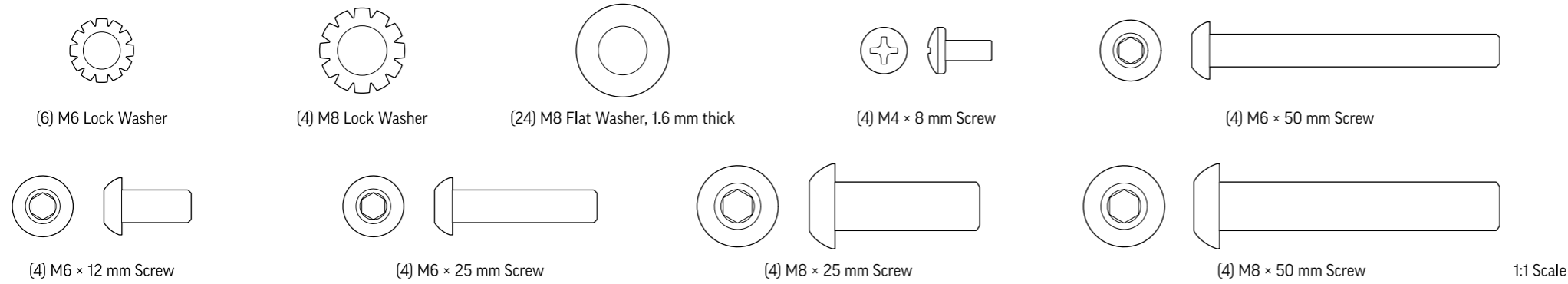


Recyclable where facilities exist

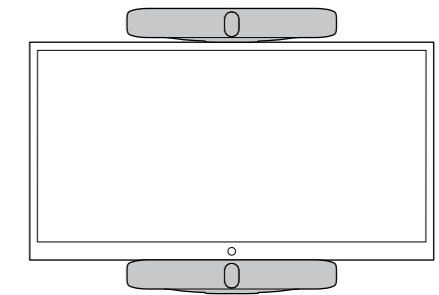
1725-87374-001C 04.22



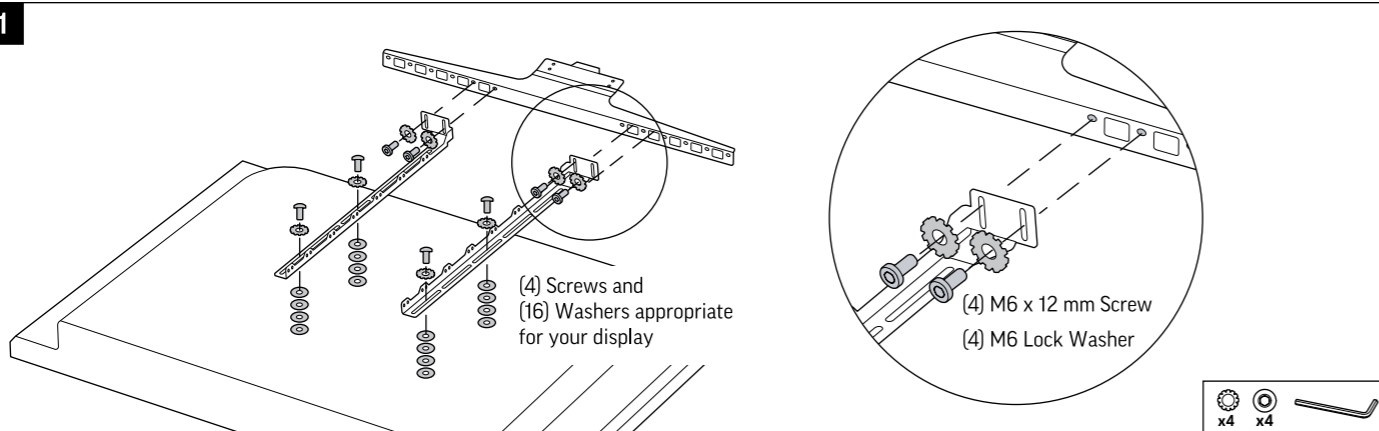
HARDWARE



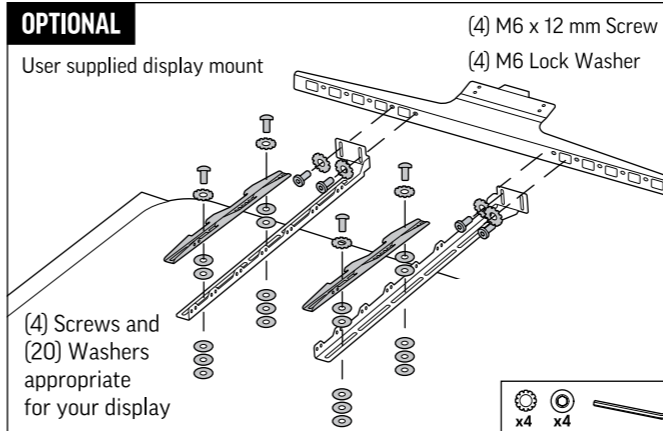
MOUNTING OPTIONS



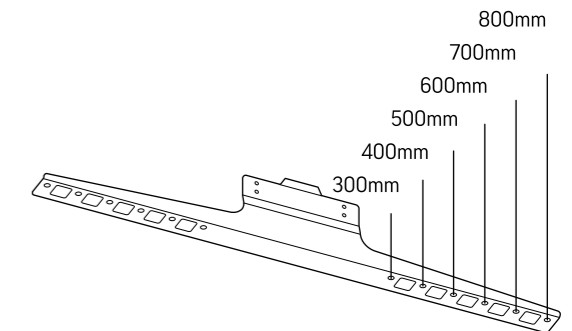
1



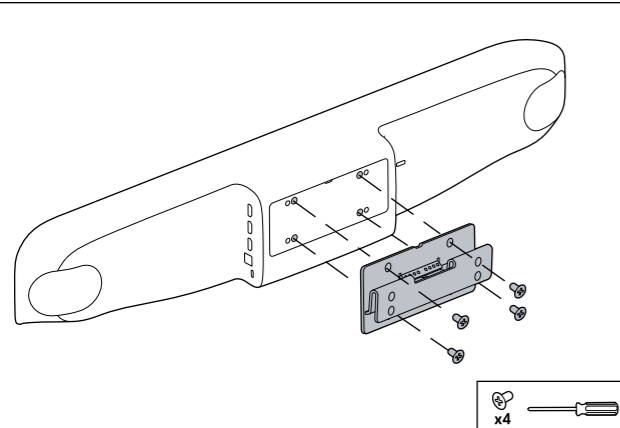
OPTIONAL



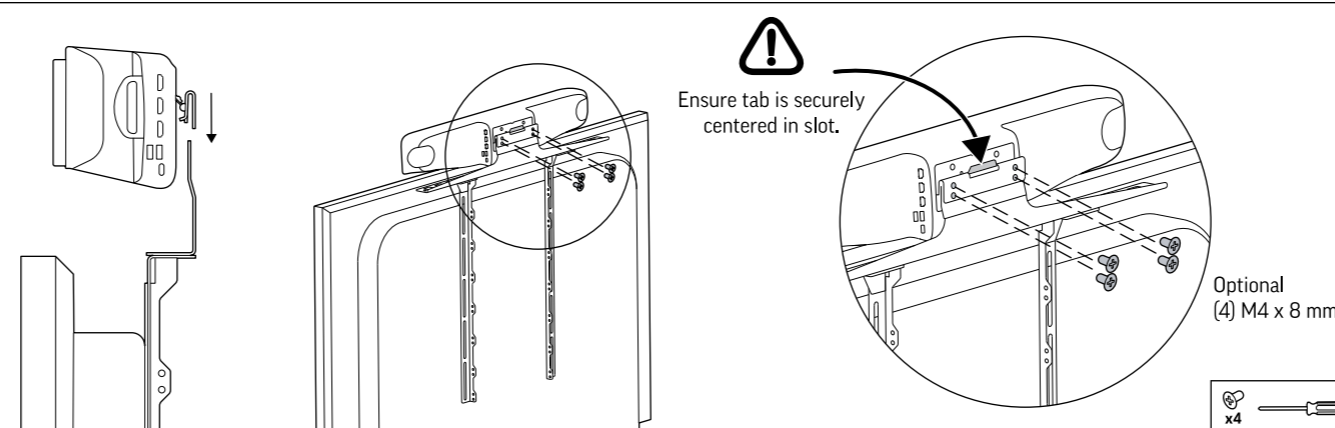
VESA MOUNTING OPTIONS



2



3



4

