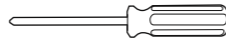




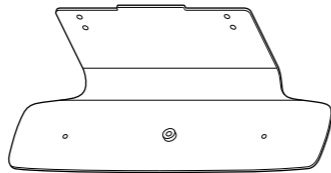
QUICK START

POLY STUDIO X50 STAND

TOOLS

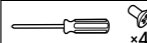
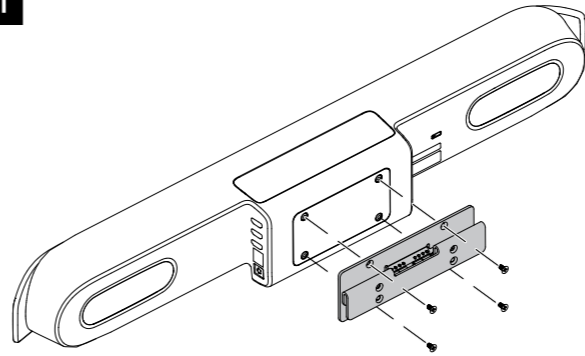


CONTENTS

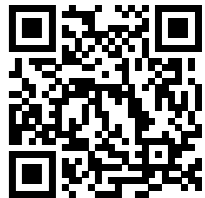


(4) M4 × 8 mm
Flat Head Screw

1



www.poly.com/support/studio-x50



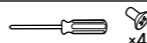
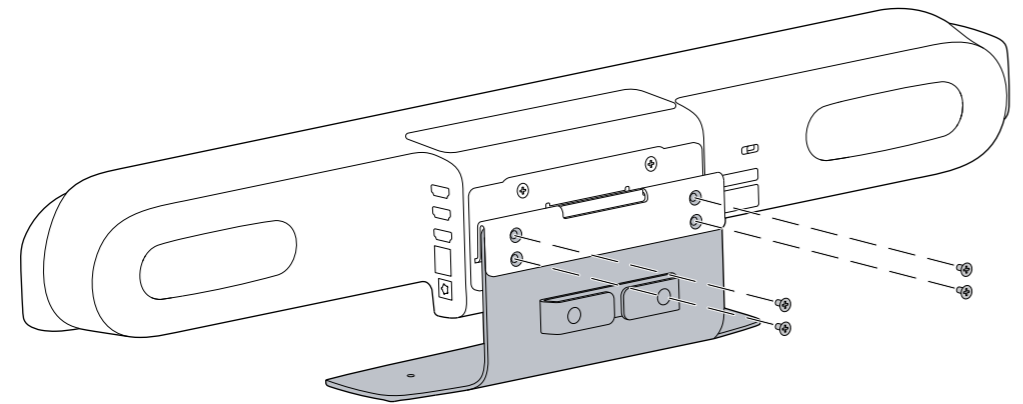
Recyclable where facilities exist

© 2022 Poly. All trademarks are the property of their respective owners.

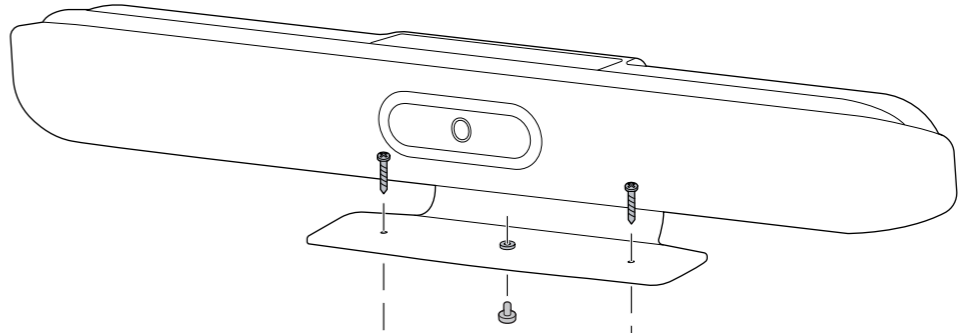


1725-86537-002C 05.22

2



OPTIONAL



1/4"-20

