

Poly Studio Medium Room Bundle for Zoom Rooms

See the Regulatory Notices for all regulatory and safety guidance prior to configuration.

Avant de procéder à la configuration, veuillez consulter les Avis de réglementation, afin de prendre connaissance des recommandations en matière de sécurité et de réglementation.

Get Started

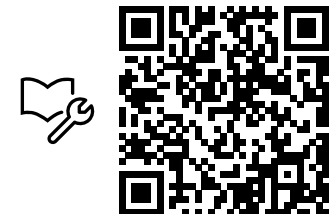
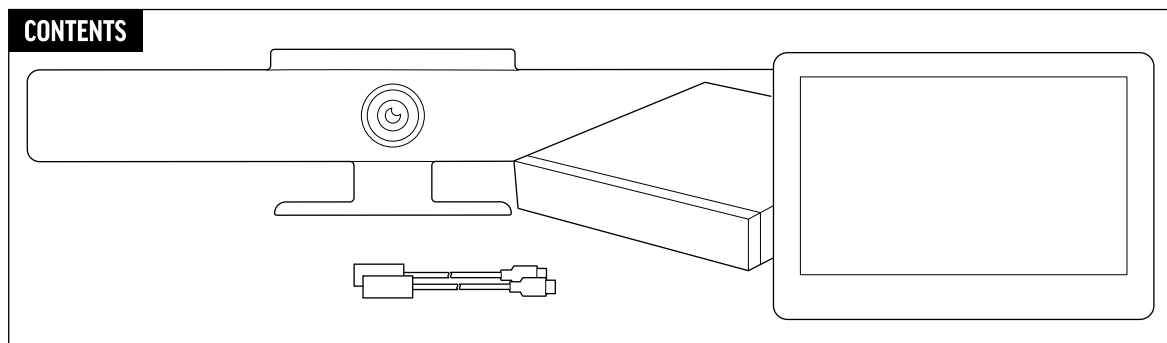
Before you begin, make sure that you have the following:

- Display HDMI cable(s)
- Ethernet cable
- USB Keyboard and mouse (for installation only)

Unpack the Poly Studio Medium Room Bundle for Zoom Rooms:

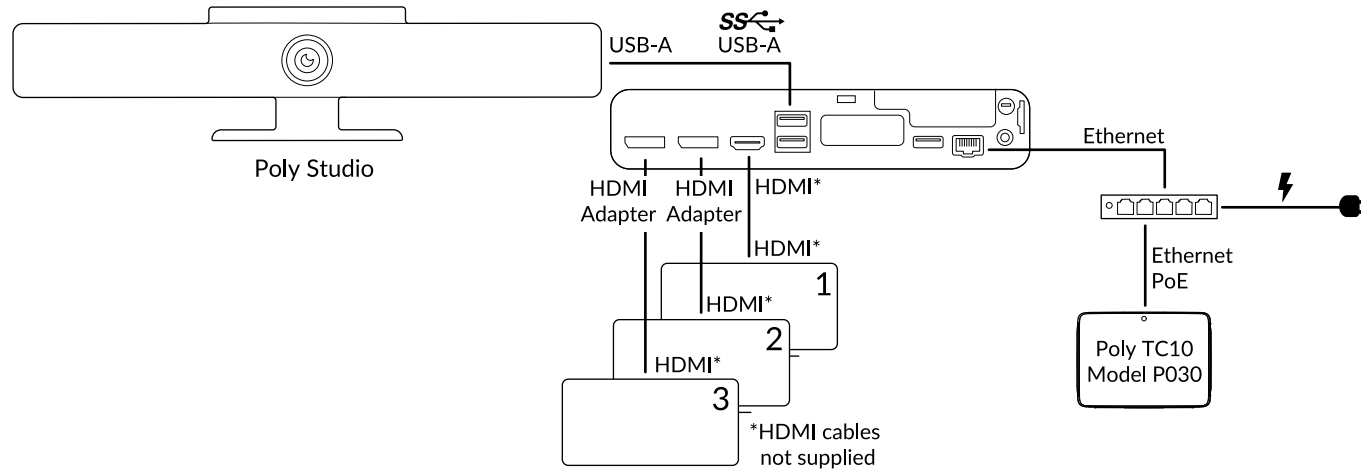
- Poly Studio
- Poly TC10
- HP PC
- 2 display port to HDMI adapters

Note: To avoid changes to the video configuration, do not use the Poly Studio remote control.



www.poly.com/support/studio-zoom-rooms

1. Connect the Studio (USB-A) to the HP PC (USB-A).
2. Connect the Studio to power.
3. Connect a display to the HP PC using an HDMI cable (not supplied) and connect to power.
4. (Optional) Connect up to two more monitors to the HP PC using the supplied display port to HDMI adapters and HDMI cables (not supplied). Connect the monitors to power.
5. Connect the HP PC to an Ethernet port.
6. Connect the TC10 to an Ethernet PoE port on the same network. Power on the TC10.
7. Connect the mouse and a keyboard (not supplied) to the HP PC.
8. Power on the HP PC and other components.
The HP PC may reboot more than once. Do not shut down the HP PC during this process.
9. Follow the prompts to continue configuring the system. Refer to the *Poly Room Kits Solution Guide* for more information.



This product cannot be connected directly to the telecommunications circuits (or public wireless LANs) of any telecommunication carriers (e.g., mobile communications carriers, fixed communications carriers, or internet providers). In the case of connecting this product to the Internet, be sure to connect it via a router.