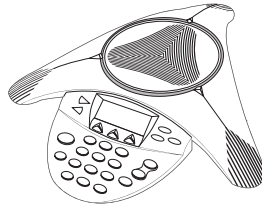


Parts List

Thank you for choosing the Polycom SoundStation® IP 6000, a conference telephone that provides high quality audio conferencing over an IP network.

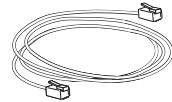
These items are included in your SoundStation IP 6000 package. If you are missing any items, contact your SoundStation IP 6000 reseller.



SoundStation IP

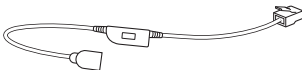


Quick Start

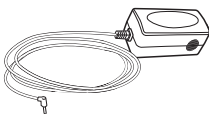


Network

Optional Accessories

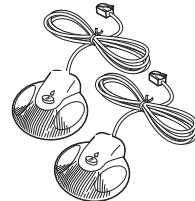


Power Interface



Power Adapter

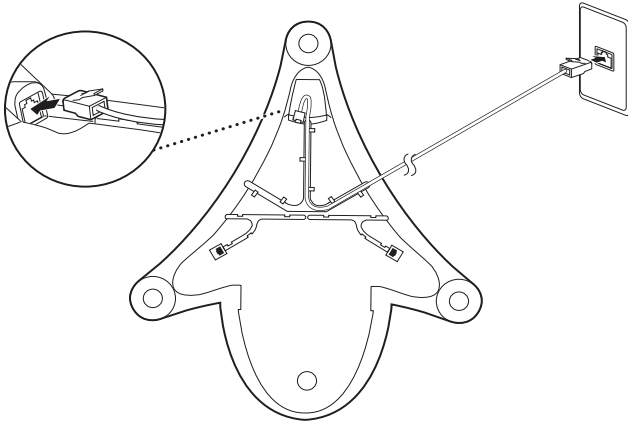
(Not shown: Country-Specific Power)



External Micro-

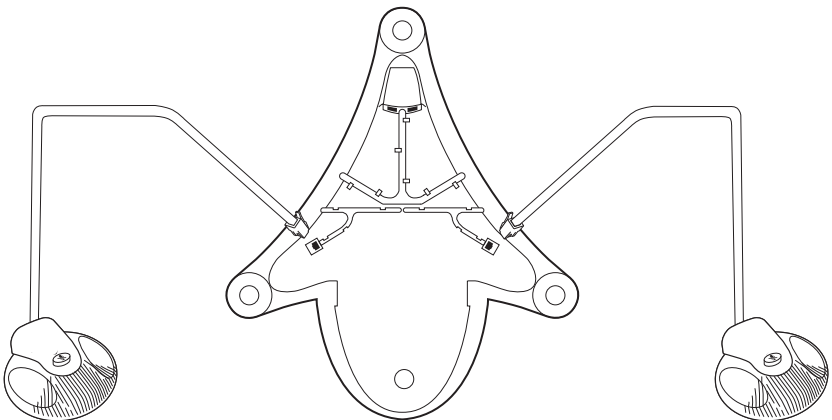
Installation

To install the SoundStation IP 6000, plug one end of the network cable into the network port on the bottom of the SoundStation IP 6000 console, and plug the other end of the network cable into your data port with PoE.

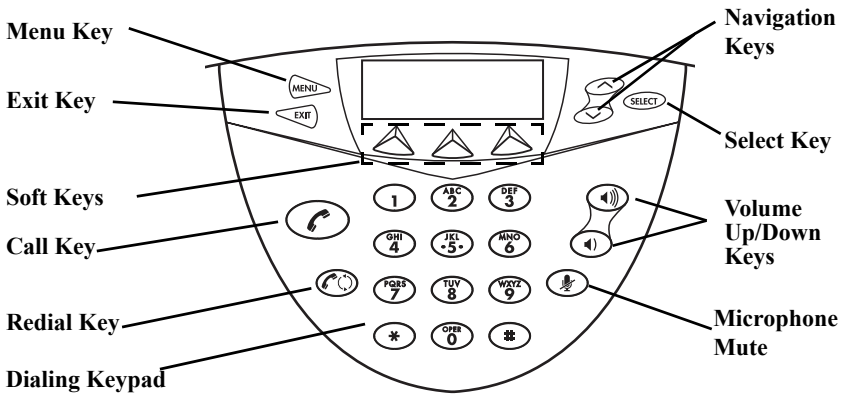
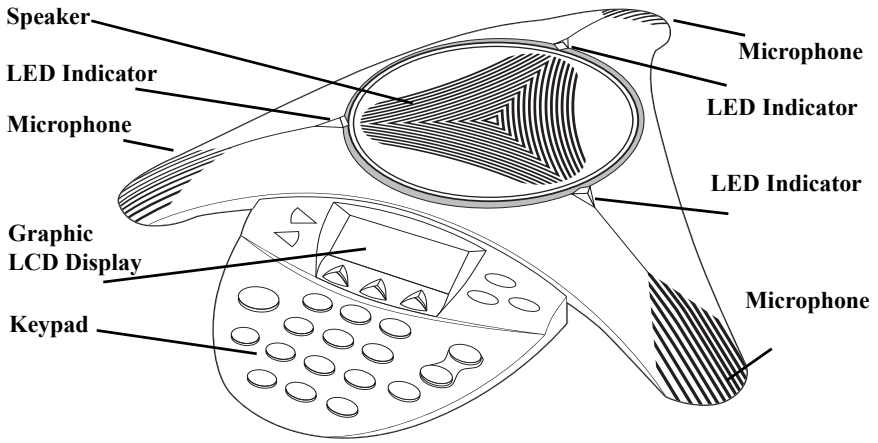


External Microphones

Connect external microphones (optional accessories), as shown below.



Features



Startup

After it has been connected to the network, the SoundStation IP 6000 automatically powers up via Power over Ethernet (PoE) and begins a process of establishing itself on the network. When this is complete, the idle screen is displayed (as shown on the right).

For more information, refer to the SoundStation IP 6000 User Guide, available online at:

<http://support.polycom.com>



Idle Screen

